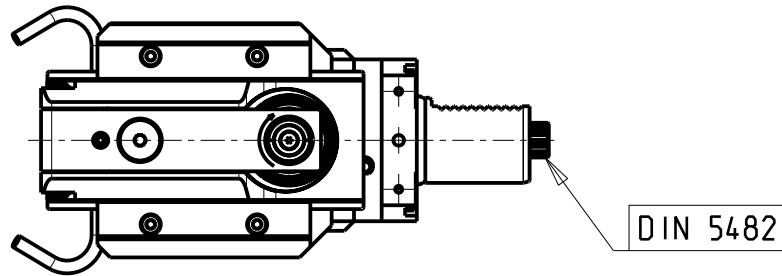
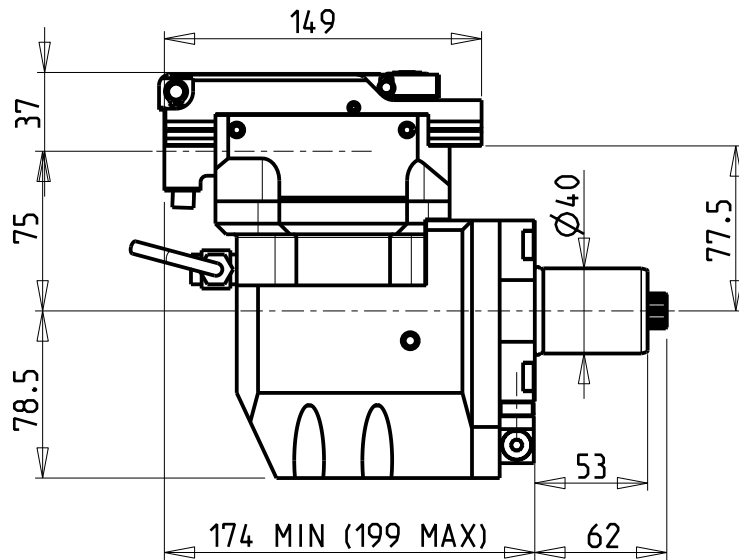
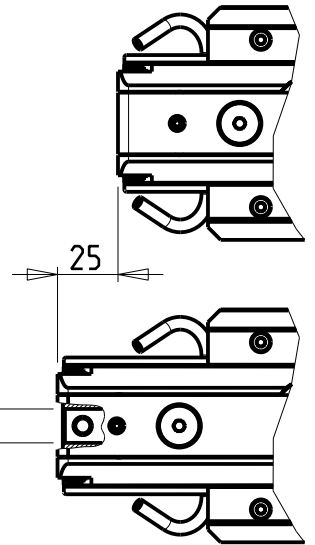
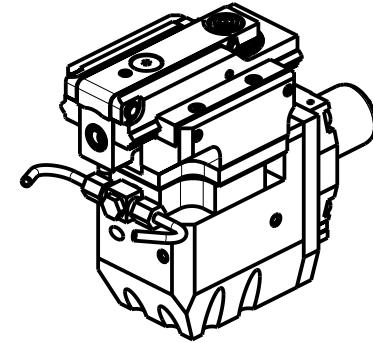
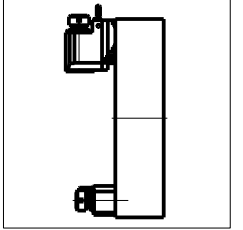


versione sx
left version
version links

versione dx
right version
version rechts



TORRETTE ASSIALI
AXIAL TURRETS
AXIAL REVOLVER



DOTAZIONI - SUPPLIED WITH - AUSSTATTUNG

N*1 Boccola di riduz. Ø16-Ø12 e N*1 Boccola di riduz. Ø16-Ø10
N*1 Reduction bush Ø16-Ø12 and N*1 Reduction bush Ø16-Ø10
N*1 Reduzierbuchsen Ø16-Ø12 und N*1 Reduzierbuchsen Ø16-Ø10

PER UTENSILI STOZZATORI VEDI PAG. TBL400-1-00
FOR DRIVEN SLOTTING TOOL CUTTING-TOOLS SEE PAGE TBL400-1-00
FÜR NUTENSTOSS-WERKZEUG SCHNEIDWERKZEUGE SIEHE SEITE TBL400-1-00

Cod. MT		I	RPM	Lubr. esterna Ext. coolant Aussenkuehlung
versione dx right version version rechts	versione sx left version version links			
SAU0740200	SAU0741200	4:1	2400	X

SAUTER
VDI 40

MODULO MOTORIZZATO STOZZATORE CORSA 25mm VDI40 DIN 5482
Slotting driven tool 25mm stroke VDI40 DIN 5482
Keilnutenstossmaschine 25mm Hub VDI40 DIN 5482

M.T. srl

Via Casino Albini 480
Tel. 0541/956034-957884
Fax 0541/956341
47842 S. GIOVANNI IN M. (RN)
e-mail: mtma@tmarchetti.com
http://www.tmmarchetti.com



PAGINA SAU360-3-81

Subject to change without notice.

09/2023