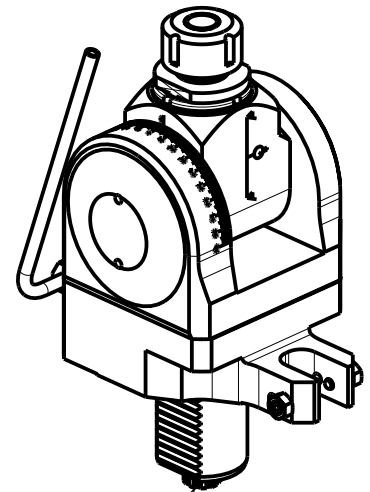
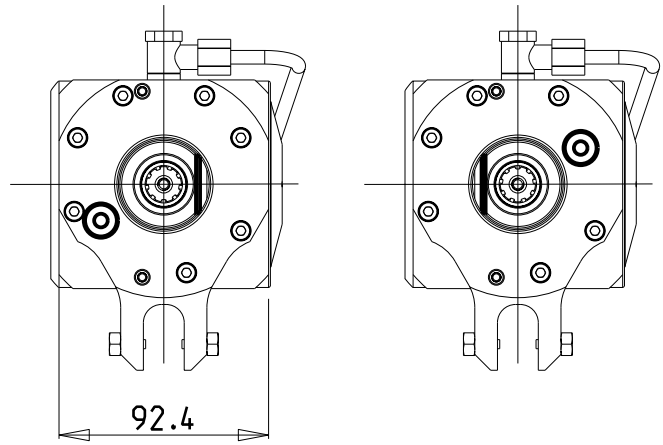


versione dx
right version
version rechts

versione sx
left version
version links



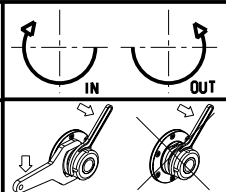
DIN 5482

Cod. MT		Mandrino Spindle Spindel	I	RPM	Coppia Max Max Torque Max Drehmoment	Lubrificazione est. Ext. coolant Aussehenkuehlung	A	A1	D	L	CHIAVI INCLUDE Keys included Schlüssel einbegriffen	
versione dx right version version rechts	versione sx left version version links										CHUB36	CHSTER
SAU0850120	SAU0851120	ER20	1:1	4000	40Nm	X	85.16	-	-	-	CHUB36	CHSTER20
SAU0850125	SAU0851125	ER25	1:1	4000	40Nm	X	86.16	-	-	-	CHUB36	CHSTER25
SAU0850516	SAU0851516	Ø16x17	1:1	4000	40Nm	X	-	65	16	17	CHUB36	CH_VTCROCE_M08
SAU0850522	SAU0851522	Ø22x19	1:1	4000	40Nm	X	-	66	22	19	CHUB36	CH_VTCROCE_M10
SAU0850519	SAU0851519	Ø3/4"x3/4"	1:1	4000	40Nm	X	-	65	3/4"	3/4"	CHUB36	CH_VTCROCE_M08

SAUTER
VDI 40

MODULO MOTORIZZATO ORIENTABILE ±90° VDI40 DIN 5482
±90° adjustable angle driven tool VDI40 DIN 5482
Angetriebenes Werkzeug schwenkbar ±90° VDI40 DIN 5482

Subject to change without notice.



M.T. srl

Via Casino Albini 480
Tel. 0541/956034-957884
Fax 0541/956341
47842 S. GIOVANNI IN M. (RN)
e-mail: mtma@mtmarchetti.com
http://www.mtmarchetti.com



PAGINA SAU016-3-60