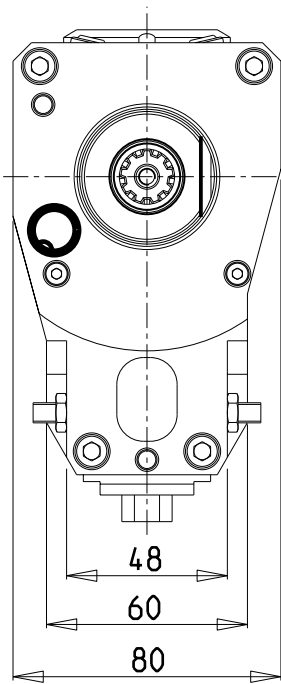
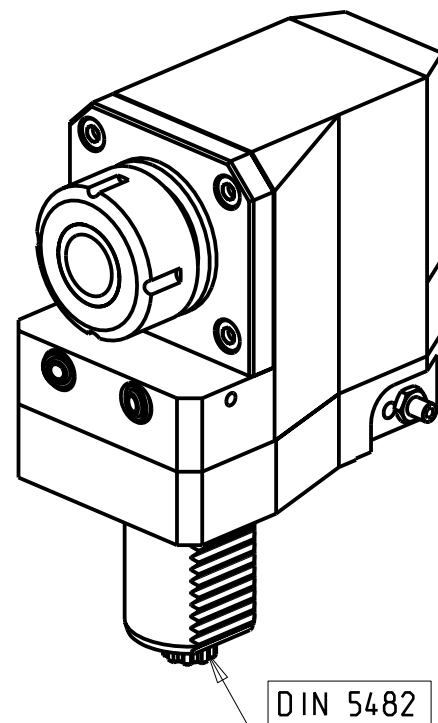
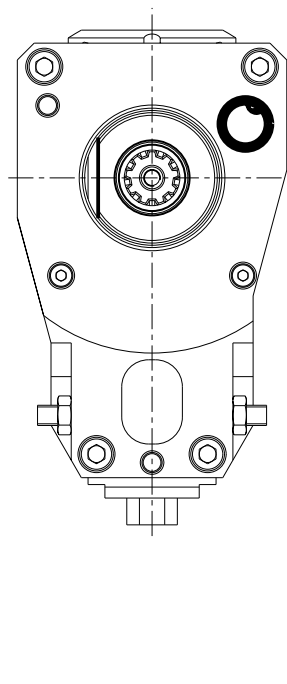


versione dx
right version
version rechts



versione sx
left version
version links



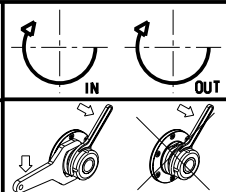
DIN 5482

Cod. MT		Mandrino Spindle Spindel	I	RPM	Coppia Max Max Torque Max Drehmoment	Lubrificazione est. Ext. coolant Aussenkuehlung	CHIAVI NON INCLUSE Keys not included Schluessel nicht einbegriffen	
versione dx right version version rechts	versione sx left version version links						CHUB13	CHSTER32
201SAU_R32_40D00	201SAU_R32_40D20	ER32	1:1	4000	70Nm	X	CHUB13	CHSTER32

SAUTER
VDI 40

MODULO MOTORIZZATO RADIALE ARRETRATO VDI40 DIN 5482 H=85mm
Radial rear-set driven tool VDI40 DIN 5482 H=85mm
Radial angetriebenes Werkzeug zurueckversetzt VDI40 DIN 5482 H=85mm

Subject to change without notice.



M.T. srl
Via Casino Albini 480
Tel. 0541/956034-957884
Fax 0541/956341
47842 S. GIOVANNI IN M. (RN)
e-mail: mtma@mtmarchetti.com
http://www.mtmarchetti.com



PAGINA SAU015-3-60