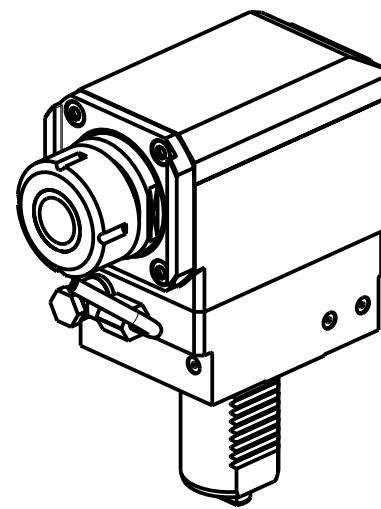


ATTENZIONE - ATTENTION - ACHTUNG

- Per lo smontaggio degli utensili utilizzare sempre la chiave di contrasto come indicato nel manuale d'uso.
- For disassembly of the tools use always the contrast key as mentioned in the user instructions.
- Fuer das Abmontieren der Werkzeuge immer den Gegenschlüssel benutzen wie in der Bedienungsanleitung erwaeht.



| Cod. MT | Cod. TAKISAWA | Mandrino Spindle Spindel | I | RPM | Coppia Max Max Torque Max Drehmoment | Lubrificazione int. Coolant through Innenkuehlung | Lubr.esterna Ext. coolant Aussenkuehlung | A | B | CHIAVI NON INCLUSE Keys not included Schluesssel nicht einbegriffen | |
|-------------|---------------|--------------------------|-----|------|--------------------------------------|---|--|-------|------|---|------------|
| TKW 0090132 | GM81998-642A | ER32 | 1:1 | 6000 | 65Nm | - | X | 99.7 | 58.5 | CHSTER32 | OKU0650004 |
| TKW 0090232 | - | ER32 | 1:1 | 6000 | 65Nm | P=70bar | X | 99.7 | 69.5 | CHSTER32 | OKU0650004 |
| TKW 0090140 | - | ER40 | 1:1 | 6000 | 65Nm | - | X | 103.7 | 58.5 | CHSTER40 | OKU0650004 |
| TKW 0090240 | - | ER40 | 1:1 | 6000 | 65Nm | P=70bar | X | 103.7 | 69.5 | CHSTER40 | OKU0650004 |

- Chiave inclusa
- Key included
- Schluesssel inbegriffen

TAKISAWA

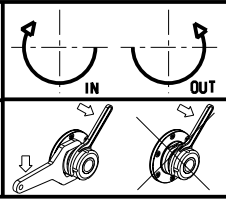
MOD: TMM200/250 - TNR200

MODULO MOTORIZZATO ASSIALE VDI40

Axial driven tool VDI40

Axial angetriebenes Werkzeug VDI40

Subject to change without notice.



M.T. srl
Via Casino Albini 480
Tel. 0541/956034-957884
Fax 0541/956341
47842 S. GIOVANNI IN M. (RN)
e-mail: mtma@mtmarchetti.com
http://www.mtmarchetti.com



PAGINA TKW 150-3-10