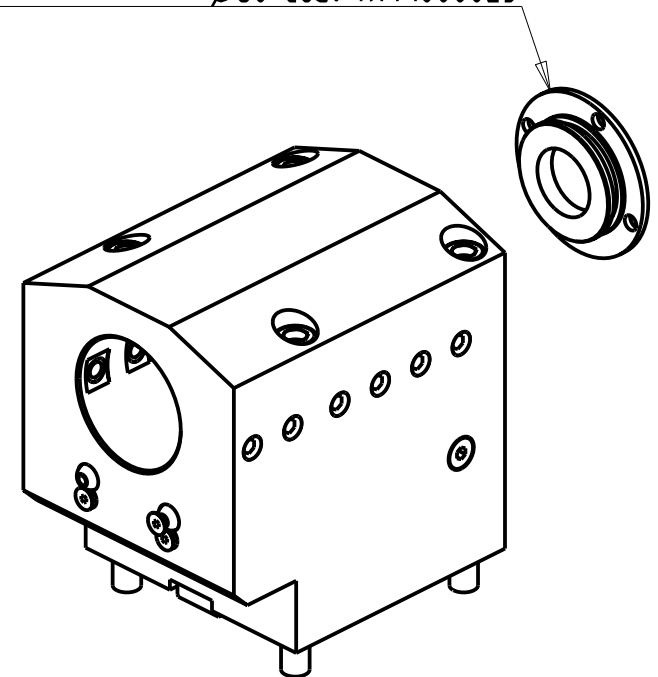


KIT ADDUZIONE INTERNA (OPZIONALE)  
 KIT FOR INTERNAL COOLANT (OPTIONAL)  
 KIT FUER INTERNE KUEHLMITTELZUFUHR (OPTIONAL)  
 Ø60 cod. KIT1000025



Cod. MT	N°Utensili N°Tools N°Werkzeuge	Lubrificazione int. opzionale Coolant through optional Innenkuehlung Optional	Lubrificazione est. Ext. coolant Aussenkuehlung	Misure Dimensions Masse	D
DW03746000	1	X	X	mm	60

SMEC (SAMSUNG)

MOD: SL60/65 MC - PL60/65/70/80 MC - SLV1000M - SL6500/8500M

PORTAUTENSILE ASSIALE PER BARENO Ø60mm H=110mm

Axial single boring bar holder Ø60mm H=110mm

Axial Bohrhälter Ø60mm H=110mm

Subject to change without notice.

**M.T. srl**

Via Casino Albini 480  
 Tel. 0541/956034-957884  
 Fax 0541/956341  
 47842 S. GIOVANNI IN M. (RN)  
 e-mail: mtma@mtmarchetti.com  
 http://www.mtmarchetti.com



PAGINA SMG600-3-10