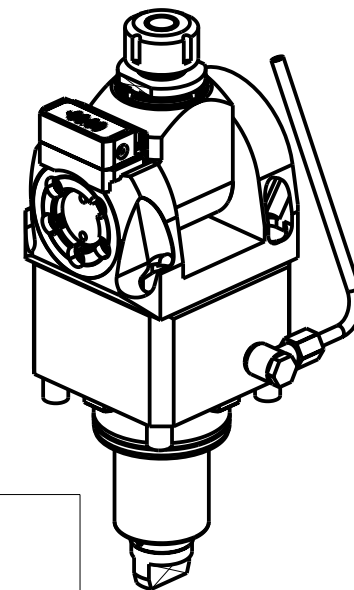


### ATTENZIONE - ATTENTION - ACHTUNG

- VERIFICARE LE MISURE DI INGOMBRO PER POSSIBILE INTERFERENZA SU ALCUNI MODELLI DI MACCHINE
- Please check the overall sizes for possible interferences on some machine models
- Bitte überprüfen sie das ausmass um mögliche interferenzen auf einigen maschinen modellen zu vermeiden



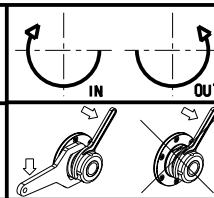
| Cod. MT     | Mandrino<br>Spindle<br>Spindel | I   | RPM  | Coppia Max<br>Max Torque<br>Max Drehmoment | Reversibile lato<br>mandrino/contromandrino<br>Reversible sub/main<br>spindle side Umkehrbare<br>Spindelseite/<br>Gegenspindelseite | Lubrificazione est.<br>Ext. coolant<br>Aussehenkuehlung | A     | A1 | D    | L    | CHIAVI INCLUSE<br>Keys included<br>Schlüssel inbegriffen |        |         |
|-------------|--------------------------------|-----|------|--|---|---|-------|----|------|------|--|--------|---------|
|             |                                |     |      |  |   |   |       |    |      |      | CH_VTCROCE_M08   | CHUB36 | CHESL10 |
| DW 01860120 | ER20                           | 1:1 | 6000 | 40Nm                                       | X   | X   | 85.16 | -  | -    | -    | CHSTER20   | CHUB36 | CHESL10 |
| DW 01860125 | ER25                           | 1:1 | 6000 | 40Nm                                       | X   | X   | 86.16 | -  | -    | -    | CHSTER25   | CHUB36 | CHESL10 |
| DW 01860516 | Ø16x17                         | 1:1 | 6000 | 40Nm                                       | X   | X   | -     | 65 | 16   | 17   | CH_VTCROCE_M08   | CHUB36 | CHESL10 |
| DW 01860522 | Ø22x19                         | 1:1 | 6000 | 40Nm                                       | X   | X   | -     | 66 | 22   | 19   | CH_VTCROCE_M10   | CHUB36 | CHESL10 |
| DW 01860519 | Ø3/4"x3/4"                     | 1:1 | 6000 | 40Nm                                       | X   | X   | -     | 65 | 3/4" | 3/4" | CH_VTCROCE_M08   | CHUB36 | CHESL10 |

### HYUNDAI-WIA (KIA)

SKT200TTM/TTMS/TTSY - LM2000TTM/TTMS/TTSY - L2000/2100/2600/3000Y/SY - L300M/LM/MS/LMS - LV450RM/LM  
 SKT250TTM/TTMS/TTSY - LM2500TTM/TTMS/TTSY - SKT250M/LM/MS - SKT300M/LM/MS - SKT-V3RM/LM - KM2600MTTS - HD2600/3100 (BMT65)

MODULO MOTORIZZATO ORIENTABILE ±90° CON NONIO DIGITALE H=100mm  
 ±90° adjustable angle driven tool with digital display H=100mm  
 Angetriebenes Werkzeug schwenkbar ±90° mit digital display H=100mm

Subject to change without notice.



### M.T. srl

Via Casino Albini 480  
 Tel. 0541/956034-957884  
 Fax 0541/956341  
 47842 S. GIOVANNI IN M. (RN)  
 e-mail: mtma@mtmarchetti.com  
 http://www.mtmarchetti.com



PAGINA KIA333-3-11