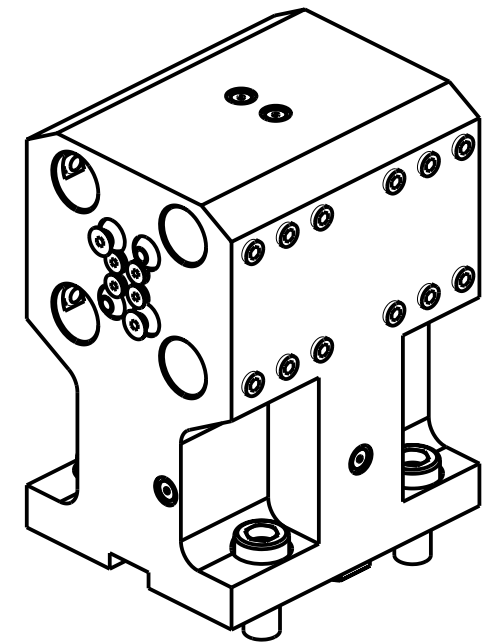


### DOTAZIONI - SUPPLIED WITH - AUSSTATTUNG

mm	N°5 Boccole - Bushings - Buchsen $\varnothing$ 16-12-10-8-6
	N°1 ER16 Portapinza - Collet holder - Zangenhalter
	N°1 ER25 Portapinza - Collet holder - Zangenhalter
inch	N°3 Boccole - Bushings - Buchsen $\varnothing$ 1/2"-3/8"-1/4"
	N°1 ER16 Portapinza - Collet holder - Zangenhalter
	N°1 ER25 Portapinza - Collet holder - Zangenhalter



Cod. MT	N°Utensili N°Tools N°Werkzeuge	Reversibile lato mandrino/contromandrino Reversible sub/main spindle side Umkehrbare Spindel-seite/ Gegenspindel-seite	Lubrificazione est. Ext. coolant Aussenkuehlung	Misure Dimensions Masse	D	H
DW00632000	4+4	X	X	mm	20	50
DW00631905	4+4	X	X	Inch	3/4"	2"

HURCO

MOD: TMX8-TMX10 MY/MYS (BMT65)

PORTAUTENSILE ASSIALE PER BARENO 4+4 POSIZIONI  $\varnothing$ 20mm/ $\varnothing$ 3/4"

Axial 4+4 position boring bar holder  $\varnothing$ 20mm/ $\varnothing$ 3/4"

Axial Bohrhälter 4+4 Positionen  $\varnothing$ 20mm/ $\varnothing$ 3/4"

Subject to change without notice.

**M.T. srl**

Via Casino Albini 480  
Tel. 0541/956034-957884  
Fax 0541/956341  
47842 S. GIOVANNI IN M. (RN)  
e-mail: mtma@mtmarchetti.com  
http://www.mtmarchetti.com



PAGINA HUR924-1-00

09/2023