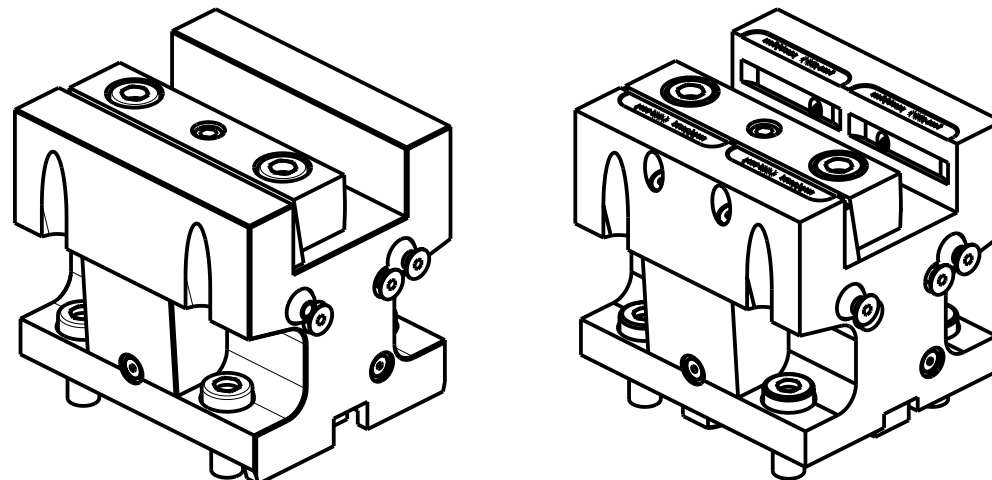


DW 00422510



Cod. MT	N°Utensili N°Tools N°Werkzeuge	Reversibile lato mandrino/contromandrino Reversible sub/main spindle side Umkehrbare Spindel-seite/ Gegenspindel-seite	Lubrificazione int. Coolant through Innenkuehlung	Lubrificazione est. Ext. coolant Aussenkuehlung	Misure Dimensions Masse	B	H
DW 00422500	1	X	-	X	mm	25	25
DW 00422510	1	X	P=70bar	X	mm	25	25

**HARD INGE**  
 MOD: T-51/65 12ST. (BMT55)  
 PORTAUTENSILE ASSIALE SINGOLO QD=25mm  
 Axial single static tool QD=25mm  
 Axial Single-Werkzeughalter QD=25mm

**M.T. srl**  
 Via Casino Albini 480  
 Tel. 0541/956034-957884  
 Fax 0541/956341  
 47842 S. GIOVANNI IN M. (RN)  
 e-mail: mtma@mtmarchetti.com  
 http://www.mtmarchetti.com



PAGINA HRD552-2-00

Subject to change without notice.

09/2023