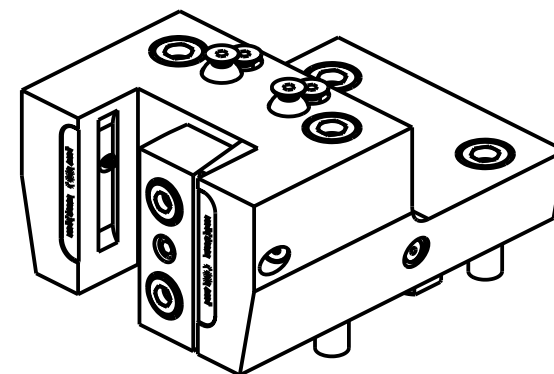
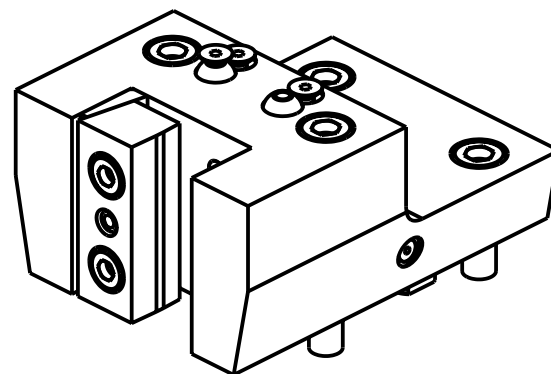


DW 02222510



Cod. MT	N°Utensili N°Tools N°Werkzeuge	Reversibile lato mandrino/contromandrino Reversible sub/main spindle side Umkehrbare Spindel-seite/ Gegenspindel-seite	Lubrificazione int. Coolant through Innenkuehlung	Lubrificazione est. Ext. coolant Aussenkuehlung	Misure Dimensions Masse	A	B	H
DW 03842500	1	X	-	X	mm	76	25	25
DW 03842540	1	X	-	X	Inch	76	1"	1"
DW 02222510	1	X	P=70bar	X	mm	81	25	25

HARD INGE

MOD: T-51/65 12ST. (BMT55)

PORTAUTENSILE RADIALE SINGOLO QD=25mm / QD=1" H=60mm

Radial single static tool QD=25mm / QD=1" H=60mm

Radial Single-Werkzeughalter QD=25mm / QD=1" H=60mm

Subject to change without notice.

**M.T. srl**

Via Casino Albini 480  
Tel. 0541/956034-957884  
Fax 0541/956341

47842 S. GIOVANNI IN M. (RN)  
e-mail: mtma@mtmarchetti.com  
http://www.mtmarchetti.com



PAGINA HRD423-2-00