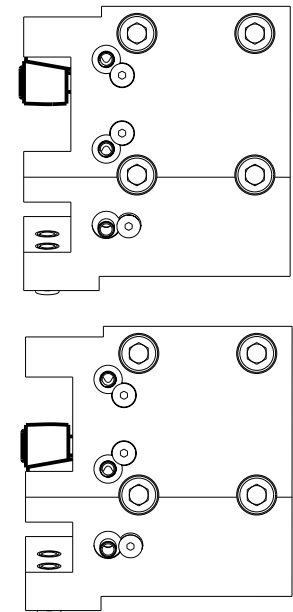
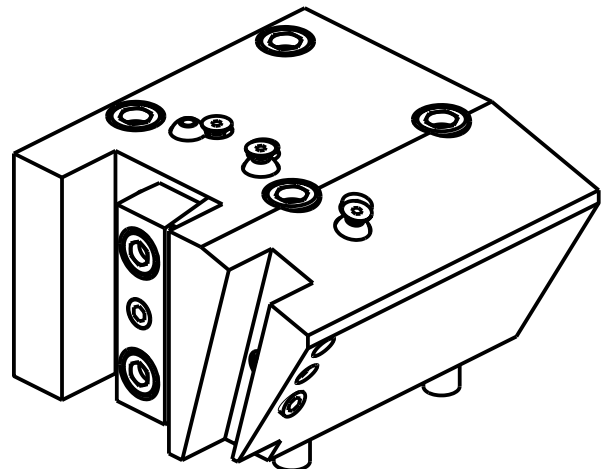
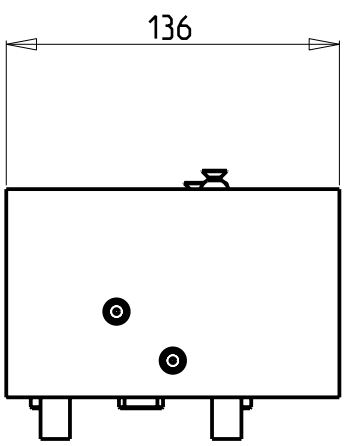


SW 387.35



Cod. MT	N°Utensili N°Tools N°Werkzeuge	Misure Dimensions Masse	B	H	B1	H1
DW02792500	2	mm	25	25	20	20

HAAS
 MOD: ST20/25/28/30/35 (BMT65) - DS30 (BMT65)

PORTAUTENSILE RADIALE MULTIPLIO QD=25mm / QD=20mm
 Radial multiple static tool QD=25mm / QD=20mm
 Radial Mehrfach-Halter QD=25mm / QD=20mm

Subject to change without notice.

M.T. srl
 Via Casino Albini 480
 Tel. 0541/956034-957884
 Fax 0541/956341
 47842 S. GIOVANNI IN M. (RN)
 e-mail: mtma@mtmarchetti.com
 http://www.mtmarchetti.com



PAGINA HAS442-4-50