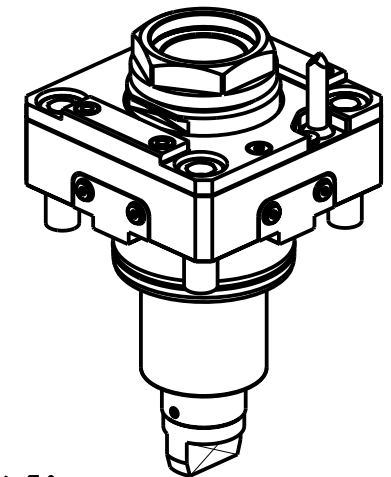
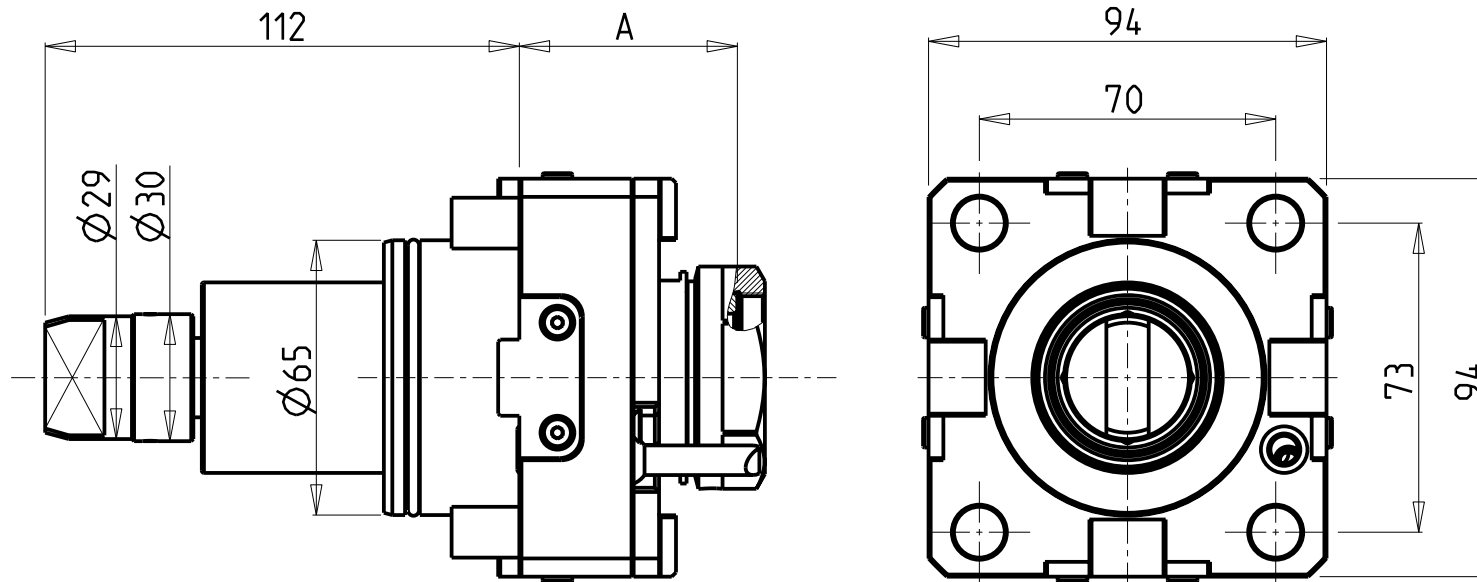


CUSCINETTI MAGGIORATI PER LAVORAZIONI PESANTI

Reinforced bearings for
heavy machining

Vergroesserte Lager fuer
schwerere Bearbeitungen



PER PORTAUTENSILI MODULARI MTSK-40 VEDI PAG. TBL300-1-40 E PER MTSK-50 VEDI PAG. TBL300-1-50
FOR MTSK-40 QUIK CHANGE TOOLHOLDERS CLAMPINGS SEE PAGE TBL300-1-40 AND FOR MTSK-50 SEE PAGE TBL300-1-50
FUER MTSK-40 MODULARE WERKZEUGAUFNAHMEN SIEHE SEITE TBL300-1-40 UND FUER MTSK-50 SIEHE SEITE TBL300-1-50

| Cod. MT | Mandrino Spindle Spindel | I | RPM | Coppia Max Max Torque Max Drehmoment | Lubrificazione int. Coolant through Innenkuehlung | Lubrificazione est. Ext. coolant Aussenkuehlung | A | CHIAVI NON INCLUSE Keys not included Schluessel nicht einbegriffen | |
|-------------|--------------------------------|-----|------|--|---|---|------|--|--------------|
| | | | | | | | | | |
| DW 01550140 | MTSK-40 | 1:1 | 6000 | 100Nm | - | X | 51.5 | CHUB46 | OKU0650004 ■ |
| DW 03480240 | MTSK-40 | 1:1 | 6000 | 100Nm | P=70bar | X | 62.5 | CHUB46 | OKU0650004 ■ |
| DW 01550150 | MTSK-50 | 1:1 | 6000 | 100Nm | - | X | 51.5 | CHUB55 | OKU0650004 ■ |
| DW 03480250 | MTSK-50 | 1:1 | 6000 | 100Nm | P=70bar | X | 62.5 | CHUB55 | OKU0650004 ■ |

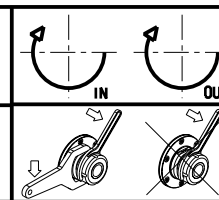
- Chiave inclusa
- Key included
- Schluessel inbegriffen

HAAS

MOD: ST20/25/28/30/35 (BMT65) - DS30 (BMT65)

MODULO MOTORIZZATO RADIALE MAGGIORATO MTSK
Radial MTSK reinforced driven tool
Radial MTSK angetriebenes Werkzeug vergroessert

Subject to change without notice.



M.T. srl

Via Casino Albini 480
Tel. 0541/956034-957884
Fax 0541/956341
47842 S. GIOVANNI IN M. (RN)
e-mail: mtma@mtmarchetti.com
http://www.mtmarchetti.com



PAGINA HAS020-4-01-K

09/2023