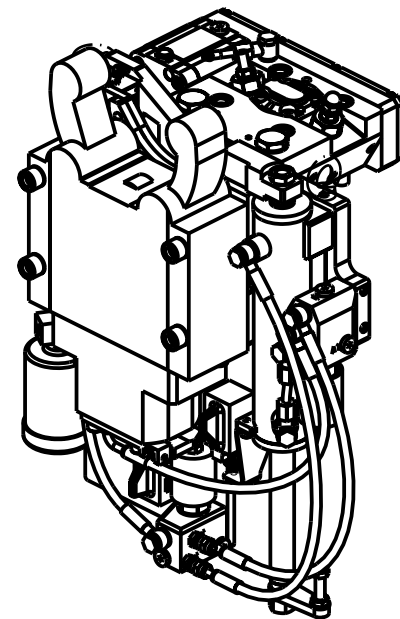
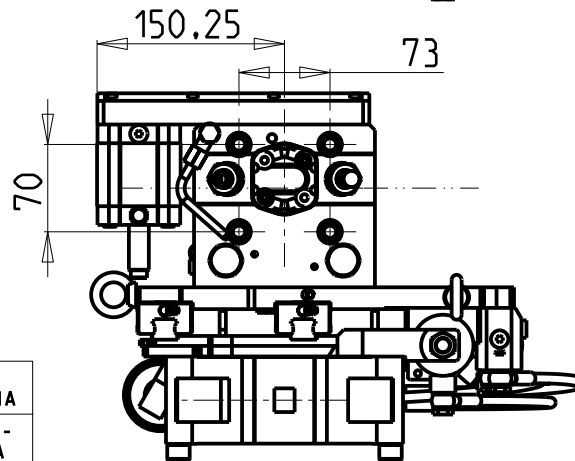


Ø310 MAX
SUBSPINDLE



(())	#	CON GESTIONE ELETTRONICA APERTURA COMPLETA DELLA LUNETTA
	#	With Electronic control of steady rest arms complete opening
	#	Mit vollstaendiger elektronischer Oeffnungsbedienung der Luenette

Cod. MT	I	RPM	Lubr.esterna Ext. coolant Aussenkuehlung
DW00940300	1:1	6000	X
# DW00940300EU	1:1	6000	X
# DW00940300US	1:1	6000	X

EUROPE - AFRICA -
MIDDLE EAST - NORTH ASIA

USA - CANADA - MEXICO -
AUSTRALIA - SOUTH ASIA

GOODWAY

MOD: GTX2000/2600 12ST. - GTZ2000/2600 12ST. - GMS2000 15ST.

MODULO MOTORIZZATO PER LUNETTA RETRATTILE (TAGLIA 2)

Driven toolholder for sliding steady rest (Size 2)

Luenettenwerkzeug zurueck versetzte Version (Groesse 2)

Subject to change without notice.

M.T. srl

Via Casino Albini 480
Tel. 0541/956034-957884

Fax 0541/956341

47842 S. GIOVANNI IN M. (RN)

e-mail: mtma@mtmarchetti.com

http://www.mtmarchetti.com



PAGINA GDW 363-4-00

09/2023