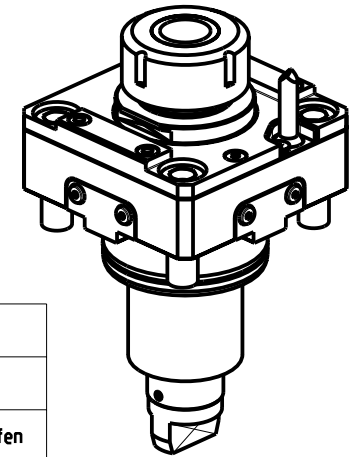
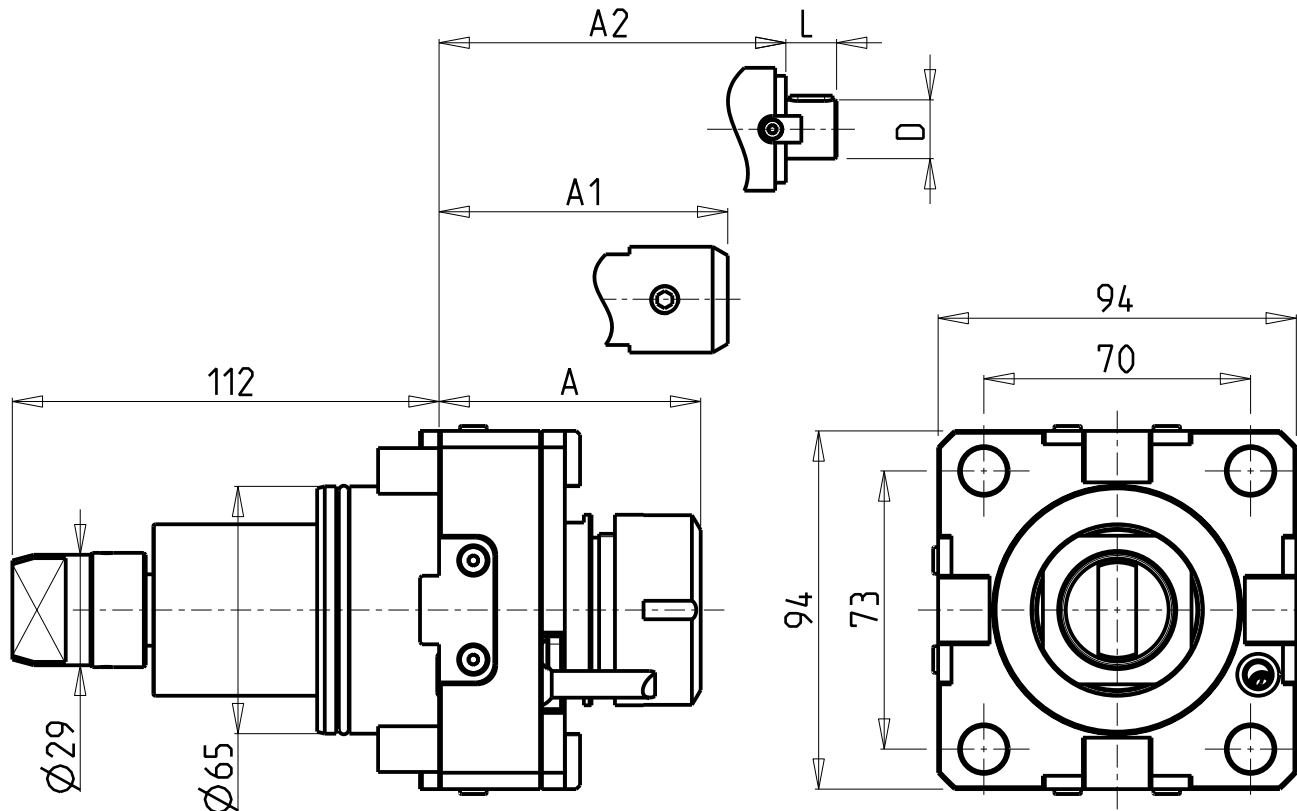


CUSCINETTI MAGGIORATI PER LAVORAZIONI PESANTI

Reinforced bearings for
heavy machining

Vergroesserte Lager fuer
schwerere Bearbeitungen



- Chiave inclusa
- Key included
- Schluessel inbegriffen

| Cod. MT | Mandrino Spindle Spindel | I | RPM | Coppia Max Max Torque Max Drehmoment | Lubrificazione int. Coolant through Innenkuehlung | Lubrificazione est. Ext. coolant Aussenkuehlung | A | A1 | A2 | D | L | CHIAVI NON INCLUSE Keys not included Schluessel nicht einbegriffen | |
|-------------|--------------------------------|-----|------|--|---|---|------|------|------|----|----|--|------------|
| | | | | | | | | | | | | | |
| DW 01540132 | ER32 | 1:1 | 6000 | 100Nm | - | X | 68.7 | - | - | - | - | CHSTER32 | OKU0650004 |
| DW 03470232 | ER32 | 1:1 | 6000 | 100Nm | P=70bar | X | 79.2 | - | - | - | - | CHSTER32 | OKU0650004 |
| DW 01540140 | ER40 | 1:1 | 6000 | 100Nm | - | X | 71.7 | - | - | - | - | CHSTER40 | OKU0650004 |
| DW 03470240 | ER40 | 1:1 | 6000 | 100Nm | P=70bar | X | 82.2 | - | - | - | - | CHSTER40 | OKU0650004 |
| DW 03470825 | WELDON 25 | 1:1 | 6000 | 100Nm | P=70bar | X | - | 72.5 | - | - | - | - | OKU0650004 |
| DW 01540827 | Ø27x21 | 1:1 | 6000 | 100Nm | P=30bar | X | - | - | 56.5 | 27 | 21 | CH_VTCROCE_M12 | OKU0650004 |

NEW

GOODWAY

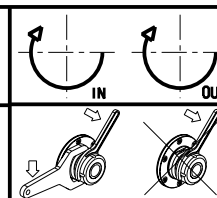
MOD: GTX2000/2600 12ST. - GTZ2000/2600 12ST. - GS2000/2800/3300 16ST. - GMT2000 - GMS2000 15ST.
GLS2800/3300 12ST. - GTH2000/2600 12ST.

MODULO MOTORIZZATO RADIALE MAGGIORATO

Radial reinforced driven tool

Radial angetriebenes Werkzeug vergroessert

Subject to change without notice.



M.T. srl

Via Casino Albini 480
Tel. 0541/956034-957884
Fax 0541/956341
47842 S. GIOVANNI IN M. (RN)
e-mail: mtma@mtmarchetti.com
http://www.mtmarchetti.com



PAGINA GDW 020-4-01

09/2023