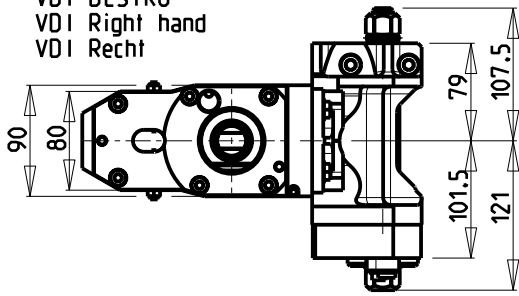
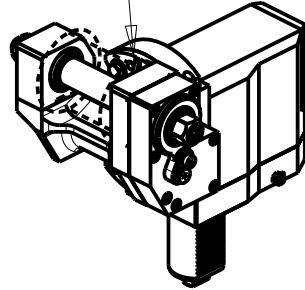


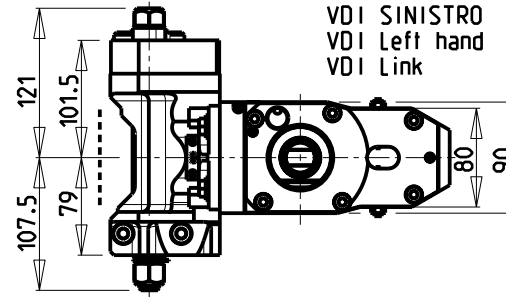
VDI DESTRO
VDI Right hand
VDI Recht



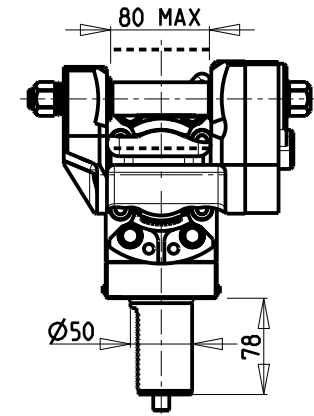
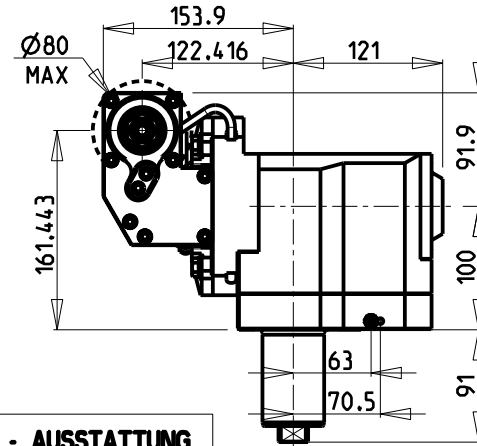
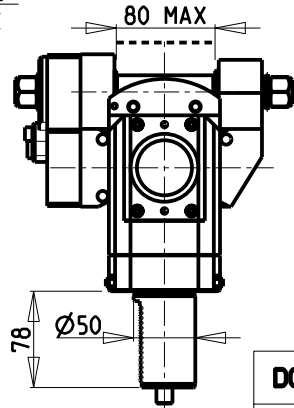
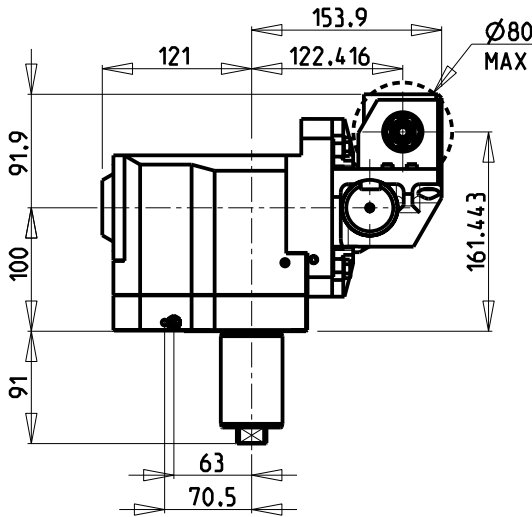
INCLINAZIONE
REGOLABILE ±20°



VDI SINISTRO
VDI Left hand
VDI Link



-LA FUNZIONE DI POLIGONATURA/DENTATURA
DEVE ESSERE INSTALLATA SULLA MACCHINA
-POLYGON CUTTING/GEAR HOBBING FUNCTION
MUST BE INSTALLED ON THE MACHINE
-DIE FUNKTION FÜR POLYGON-BZW. VERZÄHNUNGSFRÄSEN
MUSS AUF DER MASCHINE FREIGESCHALTET WERDEN



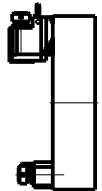
DOTAZIONI - SUPPLIED WITH - AUSSTATTUNG

mm / inch

- N°1 ALBERO + DISTANZIALI
- N°1 SHAFT + SPACER
- N°1 DORN + ABSTANDSSTUECK

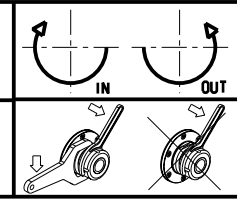
PER ALBERI E DISTANZIALI VEDI PAG. TBL250-1-00
FOR SHAFT END SPACER SEE PAGE TBL250-1-00
FUER DORN UND ABSTANDSSTUECK SEITE TBL250-1-00

**TORRETTE ASSIALI
AXIAL TURRETS
AXIAL REVOLVER**



| Cod. MT | I | RPM max | Coppia Max Max Torque Max Drehmoment | Lubrificazione est. Ext. coolant Aussenkuehlung | D (mm) | D (Inch) | CHIAVI INCLUSE Keys included Schlüssel inbegriffen | | | VDI |
|------------------|-----|------------|--|---|-------------|----------------|--|--------|---------|------------------------|
| | | | | | | | CHUB24 | CHUB13 | CHESL08 | |
| 156DUP_PCR_50A00 | 1:1 | 4000 | 60Nm | X | 16-22-27-32 | 3/4"-1"-1 1/4" | CHUB24 | CHUB13 | CHESL08 | DESTRO - Right - Recht |
| 156DUP_PCR_50A01 | 2:1 | 2000 | 80Nm | X | 16-22-27-32 | 3/4"-1"-1 1/4" | CHUB24 | CHUB13 | CHESL08 | DESTRO - Right - Recht |
| 156DUP_PCR_50A10 | 1:1 | 4000 | 60Nm | X | 16-22-27-32 | 3/4"-1"-1 1/4" | CHUB24 | CHUB13 | CHESL08 | SINISTRO - Left - Link |
| 156DUP_PCR_50A11 | 2:1 | 2000 | 80Nm | X | 16-22-27-32 | 3/4"-1"-1 1/4" | CHUB24 | CHUB13 | CHESL08 | SINISTRO - Left - Link |

DIPLOMATIC
VDI 50
MODULO MOTORIZZATO PORTACREATORE VDI50
Driven gear hobber VDI50
Angetriebenes Zahnradwaelzfraes-Werkzeug VDI50



M.T. srl
Via Casino Albini 480
Tel. 0541/956034-957884
Fax 0541/956341
47842 S. GIOVANNI IN M. (RN)
e-mail: mtma@tmarchetti.com
http://www.tmmarchetti.com



PAGINA DUP340-3-00

Subject to change without notice.