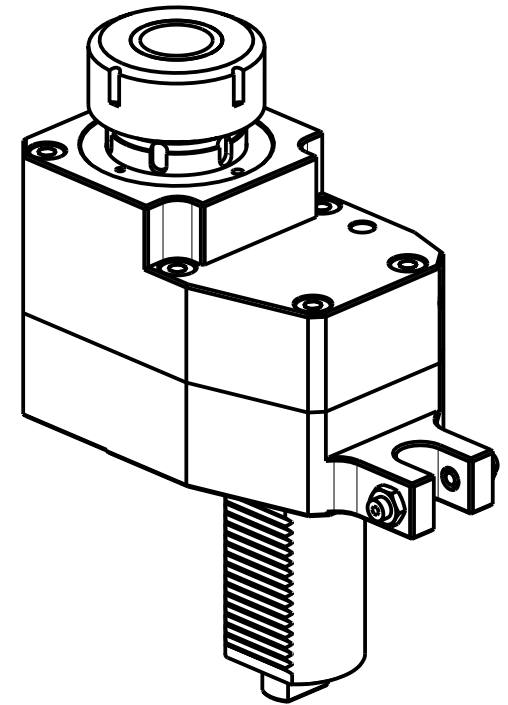
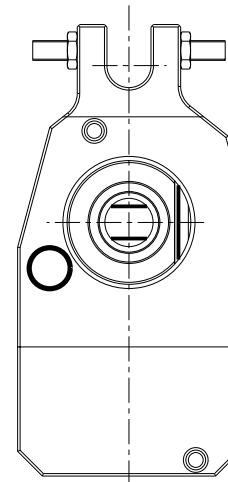
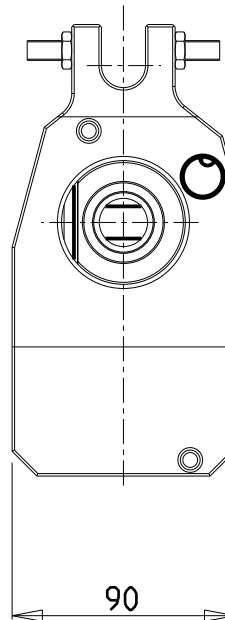


versione dx  
right version  
version rechts

versione sx  
left version  
version links



Cod. MT

Mandrino  
Spindle  
Spindel

I

RPM

Coppia Max  
Max Torque  
Max Drehmoment

Lubrificazione est.  
Ext. coolant  
Aussenkuehlung

CHIAVI NON INCLUSE  
Keys not included  
Schlüssel nicht einbegriffen

155DUP\_A40\_50A00

155DUP\_A40\_50A20

ER40

1:1

4000

100Nm

X

CHSE5255

CHSTER40

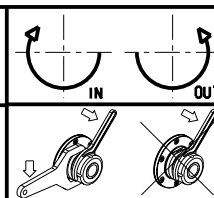
DIPLOMATIC  
VDI 50

MODULO MOTORIZZATO ASSIALE DISASSATO 60mm VDI50

Axial driven tool re-directed by 60mm VDI50

Axial angetriebenes Werkzeug achsversetzt um 60mm VDI50

Subject to change without notice.



**M.T. srl**

Via Casino Albini 480  
Tel. 0541/956034-957884  
Fax 0541/956341

47842 S. GIOVANNI IN M. (RN)  
e-mail: mtma@mtmarchetti.com  
http://www.mtmarchetti.com



PAGINA DUP160-3-00

09/2023