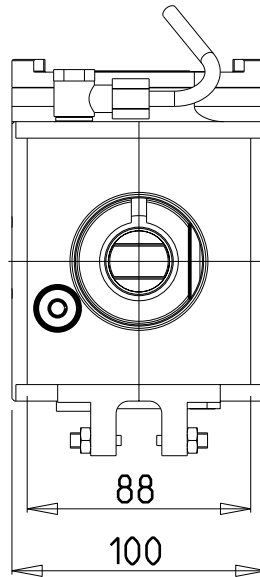
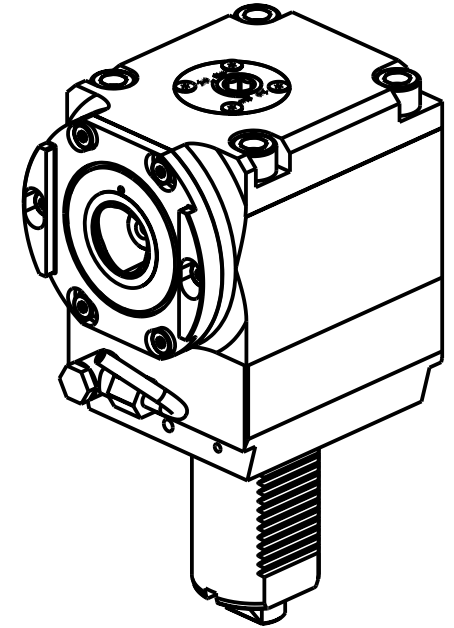
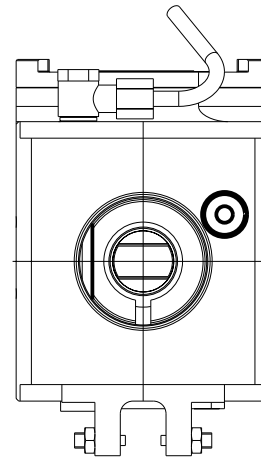


versione dx
right version
version rechts



versione sx
left version
version links



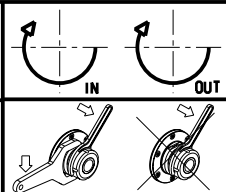
- Chiave inclusa
- Key included
- Schluessel inbegriffen

Cod. MT		TAGLIA Size Masse	I	RPM	Coppia Max Max Torque Max Drehmoment	Lubrificazione int. Coolant through Innenkuehlung	Lubrificazione est. Ext. coolant Aussenkuehlung	B
versione dx right version version rechts	versione sx left version version links							
DUP0550140	DUP0551140	C4	1:1	4000	100Nm	-	X	58
DUP0550240	DUP0551240	C4	1:1	4000	100Nm	P=70bar	X	66.5

DIPLOMATIC
VDI 50

MODULO MOTORIZZATO RADIALE VDI50 MT CAPTO
Radial driven tool VDI50 MT CAPTO
Radial angetriebenes Werkzeug VDI50 MT CAPTO

Subject to change without notice.



M.T. srl
Via Casino Albini 480
Tel. 0541/956034-957884
Fax 0541/956341
47842 S. GIOVANNI IN M. (RN)
e-mail: mtma@mtmarchetti.com
http://www.mtmarchetti.com



PAGINA DUP153-C-40