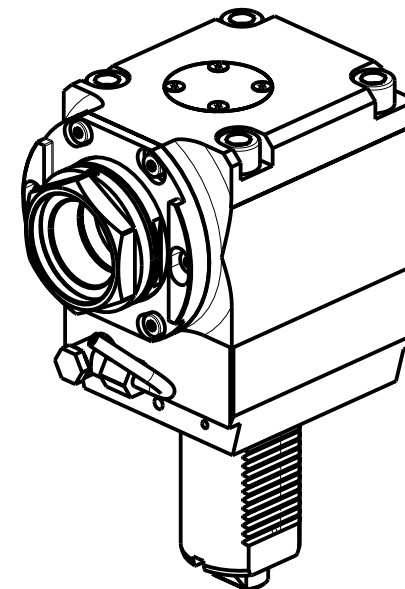
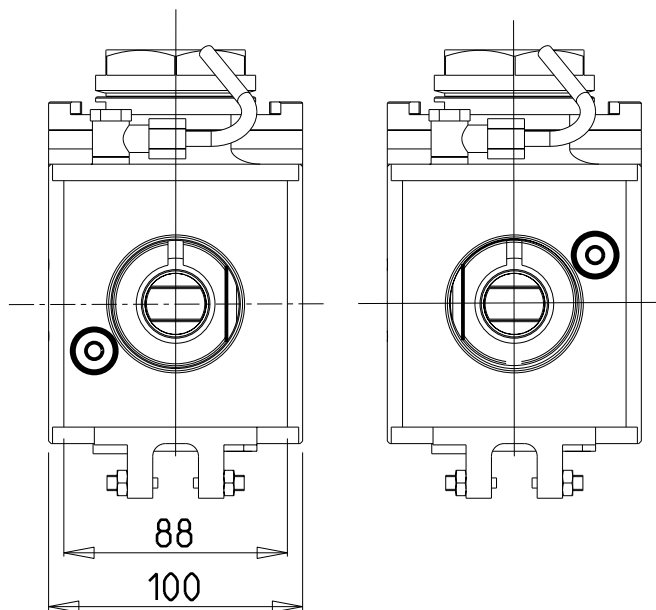


versione dx
right version
version rechts

versione sx
left version
version links



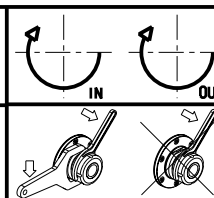
PER PORTAUTENSILI MODULARI MTSK-50 VEDI PAG. TBL300-1-50
FOR MTSK-50 QUICK CHANGE TOOLHOLDERS CLAMPINGS SEE PAGE TBL300-1-50
FUER MTSK-50 MODULARE WERKZEUGAUFNAHMEN SIEHE SEITE TBL300-1-50

| Cod. MT | | Mandrino Spindle Spindel | i | RPM | Coppia Max Max Torque Max Drehmoment | Lubrificazione int. Coolant through Innenkuehlung | Lubrificazione est. Ext. coolant Aussenkuehlung | B | CHIAVI NON INCLUSE Keys not included Schluessel nicht einbegriffen | |
|--|--|--------------------------------|-----|------|--|---|---|------|--|--------------|
| versione dx right version version rechts | versione sx left version version links | | | | | | | | | |
| DUP0210150 | DUP0211150 | MTSK-50 | 1:1 | 4000 | 100Nm | - | X | 58 | CHUB55 | OKU0430007 * |
| DUP0210250 | DUP0211250 | MTSK-50 | 1:1 | 4000 | 100Nm | P=70bar | X | 66.5 | CHUB55 | OKU0430007 * |

- Chiave inclusa
- Key included
- Schluessel inbegriffen

DIPLOMATIC
VDI 50

MODULO MOTORIZZATO RADIALE MTSK VDI50
Radial MTSK driven tool VDI50
Radial MTSK angetriebenes Werkzeug VDI50



M.T. srl
Via Casino Albini 480
Tel. 0541/956034-957884
Fax 0541/956341
47842 S. GIOVANNI IN M. (RN)
e-mail: mtma@mtmarchetti.com
http://www.mtmarchetti.com



PAGINA DUP153-3-10-K

Subject to change without notice.

09/2023