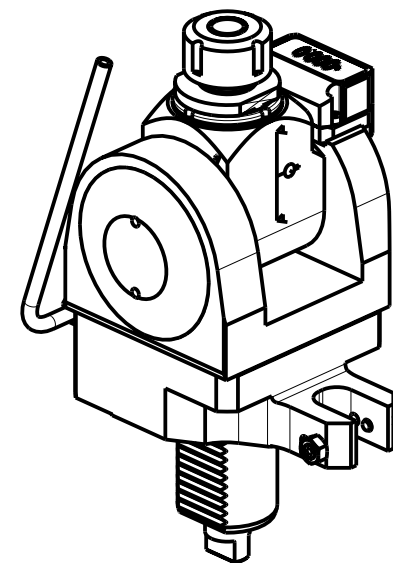
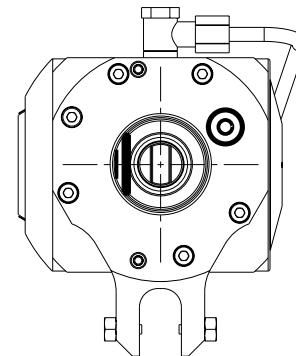
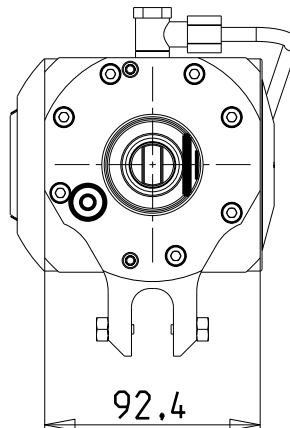


versione dx
right version
version rechts

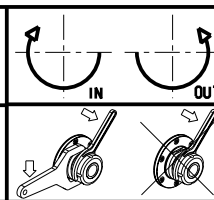
versione sx
left version
version links



Cod. MT		Mandrino Spindle Spindel	I	RPM	Coppia Max Max Torque Max Drehmoment	Lubrificazione est. Ext. coolant Aussenkuehlung	A	A1	D	L	CHIAVI INCLUSE Keys included Schluessel einbegriffen	
versione dx right version version rechts	versione sx left version version links										CHUB36	CHSTER
DUP0450120	DUP0451120	ER20	1:1	6000	40Nm	X	85.16	-	-	-	CHUB36	CHSTER20
DUP0450125	DUP0451125	ER25	1:1	6000	40Nm	X	86.16	-	-	-	CHUB36	CHSTER25
DUP0450516	DUP0451516	Ø16x17	1:1	6000	40Nm	X	-	65	16	17	CHUB36	CH_VTCROCE_M08
DUP0450522	DUP0451522	Ø22x19	1:1	6000	40Nm	X	-	66	22	19	CHUB36	CH_VTCROCE_M10
DUP0450519	DUP0451519	Ø3/4"x3/4"	1:1	6000	40Nm	X	-	65	3/4"	3/4"	CHUB36	CH_VTCROCE_M08

DIPLOMATIC
VDI 40

MODULO MOTORIZZATO ORIENTABILE ±90° CON NONIO DIGITALE VDI40
±90° adjustable angle driven tool with digital display VDI40
Angetriebenes Werkzeug schwenkbar ±90° mit digital display VDI40



M.T. srl

Via Casino Albini 480
Tel. 0541/956034-957884
Fax 0541/956341
47842 S. GIOVANNI IN M. (RN)
e-mail: mtma@mtmarchetti.com
http://www.mtmarchetti.com



PAGINA DUP333-2-01

Subject to change without notice.

09/2023