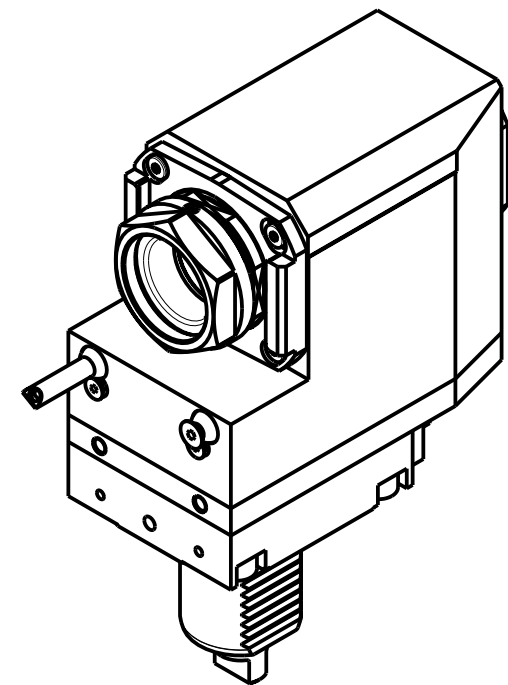
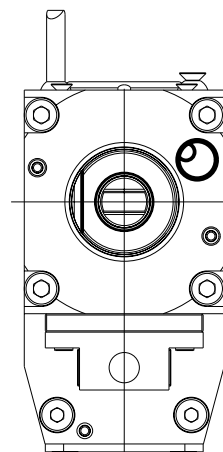
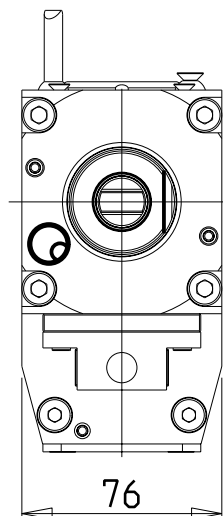


versione dx
right version
version rechts

versione sx
left version
version links



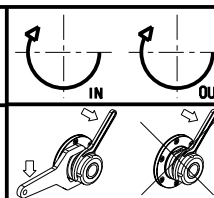
PER PORTAUTENSILI MODULARI MTSK-40 VEDI PAG. TBL300-1-40
FOR MTSK-40 QUIK CHANGE TOOLHOLDERS CLAMPINGS SEE PAGE TBL300-1-40
FUER MTSK-40 MODULARE WERKZEUGAUFNAHMEN SIEHE SEITE TBL300-1-40

Cod. MT		Mandrino Spindle Spindel	I	RPM	Coppia Max Max Torque Max Drehmoment	Lubrificazione int. Coolant through Innenkuehlung	Lubrificazione est. Ext. coolant Aussenkuehlung	B	CHIAVI NON INCLUSE Keys not included Schluessel nicht einbegriffen	
versione dx right version version rechts	versione sx left version version links								CHUB46	MNZ0410005 *
DUP0430140	DUP0431140	MTSK-40	1:1	6000	70Nm	-	X	95	CHUB46	MNZ0410005 *
DUP0430240	DUP0431240	MTSK-40	1:1	6000	70Nm	P=70bar	X	108.5	CHUB46	MNZ0410005 *

- Chiave inclusa
- Key included
- Schluessel inbegriffen

DIPLOMATIC
VDI 40

MODULO MOTORIZZATO RADIALE ARRETRATO MTSK VDI40 H=100mm
Radial MTSK rear-set driven tool VDI40 H=100mm
Radial MTSK angetriebenes Werkzeug zurueckversetzt VDI40 H=100mm



M.T. srl
Via Casino Albini 480
Tel. 0541/956034-957884
Fax 0541/956341
47842 S. GIOVANNI IN M. (RN)
e-mail: mtma@mtmarchetti.com
http://www.mtmarchetti.com



PAGINA DUP013-2-10-K

Subject to change without notice.

09/2023