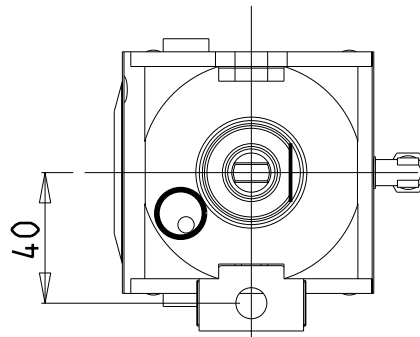
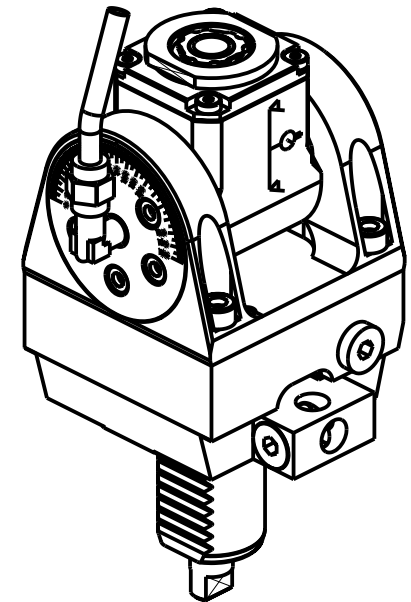
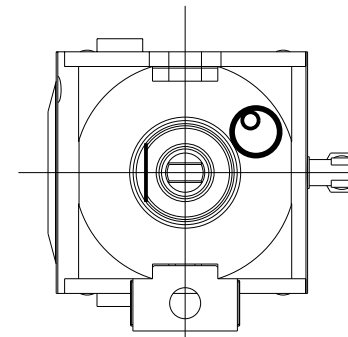


versione dx
right version
version rechts



versione sx
left version
version links

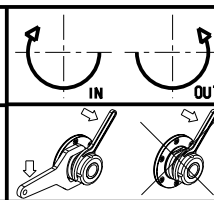


Cod. MT		Mandrino Spindle Spindel	i	RPM	Coppia Max Max Torque Max Drehmoment	Lubrificazione int. Coolant through Innenkuehlung	Lubrificazione est. Ext. coolant Aussenkuehlung	CHIAVI INCLUSE Keys included Schluessel inbegriffen		
versione dx right version version rechts	versione sx left version version links							C HUB19_SP3	C HUB32	C HTAER16ZC
DUP0230116	DUP0231116	ERA16	1:1	6000	20Nm	-	X	C HUB19_SP3	C HUB32	C HTAER16ZC
DUP0230216	DUP0231216	ERA16	1:1	6000	20Nm	P=70bar	X	C HUB19_SP3	C HUB32	C HTAER16ZC

DIPLOMATIC
VDI 30

MODULO MOTORIZZATO ORIENTABILE ±90° VDI30
±90° adjustable angle driven tool VDI30
Angetriebenes Werkzeug schwenkbar ±90° VDI30

Subject to change without notice.



M.T. srl
Via Casino Albini 480
Tel. 0541/956034-957884
Fax 0541/956341
47842 S. GIOVANNI IN M. (RN)
e-mail: mtma@mtmarchetti.com
http://www.mtmarchetti.com



PAGINA DUP335-1-00