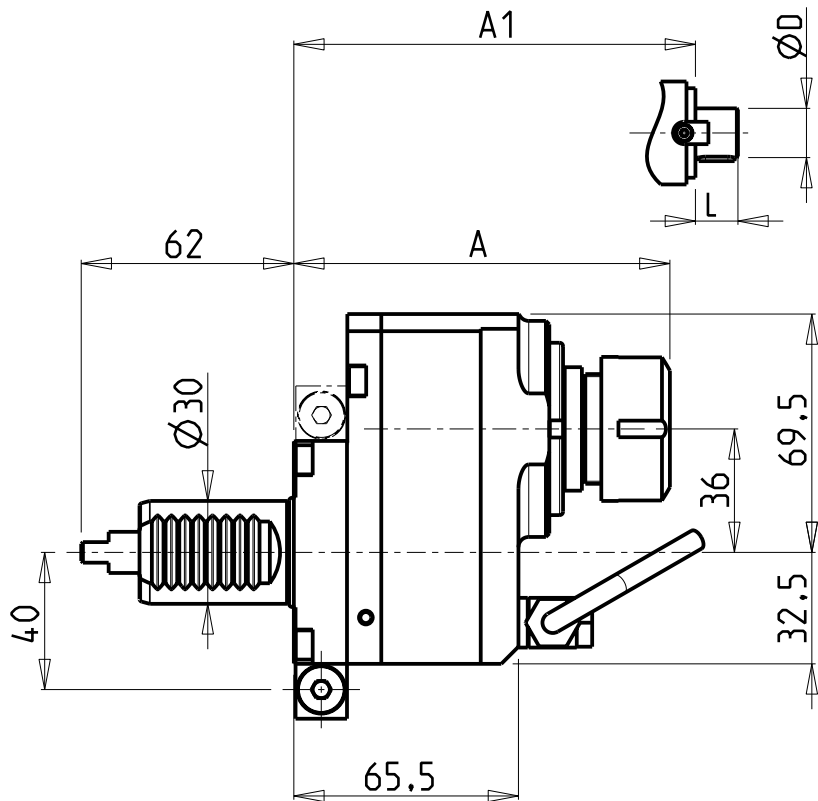


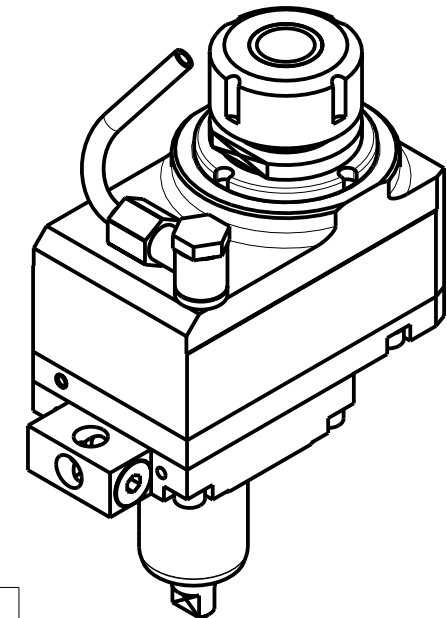
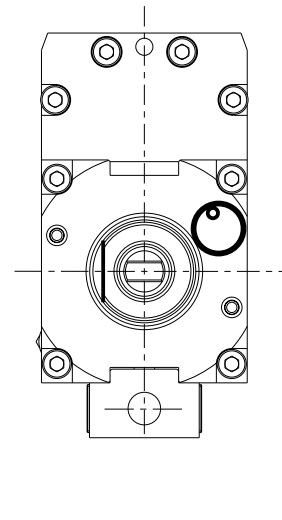
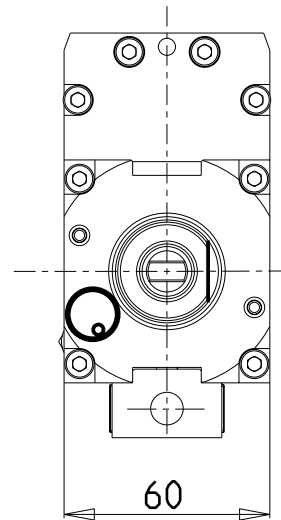
ATTENZIONE - ATTENTION - ACHTUNG

- Per lo smontaggio degli utensili utilizzare sempre la chiave di contrasto come indicato nel manuale d'uso.
- For disassembly of the tools use always the contrast key as mentioned in the user instructions.
- Fuer das Abmontieren der Werkzeuge immer den Gegenschlüssel benutzen wie in der Bedienungsanleitung erwahnt.



versione dx
right version
version rechts

versione sx
left version
version links

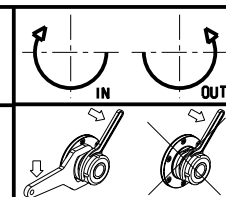


Cod. MT		Mandrino Spindle Spindel	i	RPM	Coppia Max Max Torque Max Drehmoment	Lubrificazione est. Ext. coolant Auslenkuehlung	A	A1	ØD	L	CHIAVI NON INCLUSE Keys not included Schluessel nicht einbegriffen	
versione dx right version version rechts	versione sx left version version links										CHUB36	CHSTER25
DUP0270325	DUP0271325	ER25	2:1	3000	45Nm	X	109.66	-	-	-	CHUB36	CHSTER25
DUP0270722	DUP0271722	Ø22x19	2:1	3000	45Nm	X	-	90.5	22	19	CHUB36	CH_VTCROCE_M10

- Chiave inclusa
- Key included
- Schluessel inbegriffen

DIPLOMATIC
VDI 30

MODULO MOTORIZZATO ASSIALE RIDOTTO I=2:1 DISASSATO 36mm VDI30
Axial geared-down I=2:1 driven tool re-directed by 36mm VDI30
Axial angetriebenes Werkzeug untersetzt I=2:1 achsversetzt um 36mm VDI30



M.T. srl
Via Casino Albini 480
Tel. 0541/956034-957884
Fax 0541/956341
47842 S. GIOVANNI IN M. (RN)
e-mail: mtma@mtmarchetti.com
http://www.mtmarchetti.com



PAGINA DUP014-1-30

Subject to change without notice.

09/2023