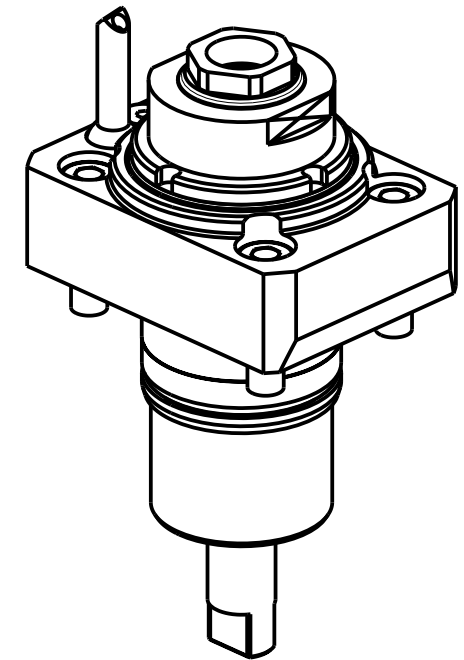
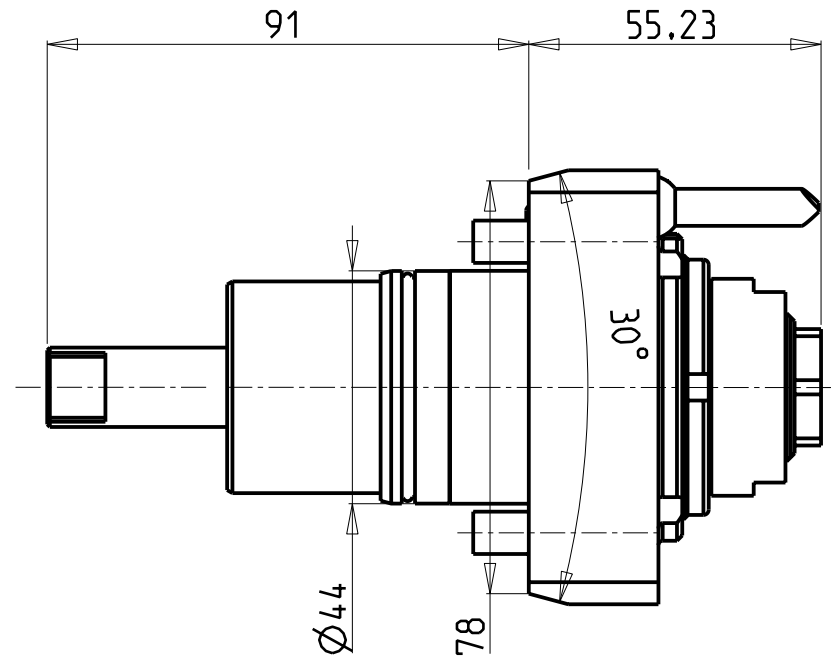
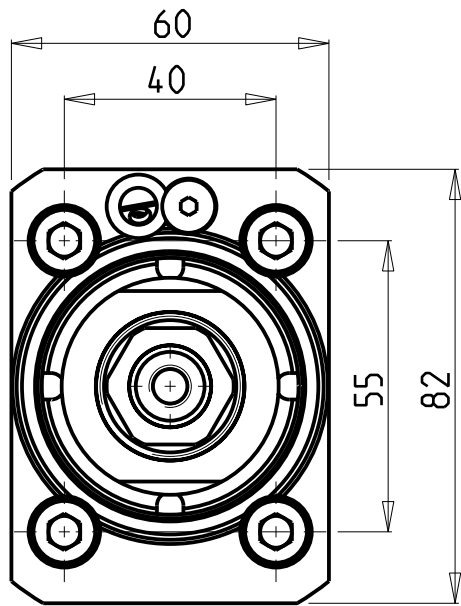


ATTENZIONE - ATTENTION - ACHTUNG

- FINO AD ESAURIMENTO SCORTE
- clearance sale
- solange vorrat

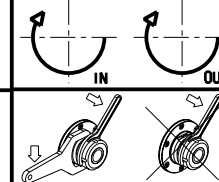


| Cod. MT | Mandrino Spindle Spindel | I | RPM | Coppia Max Max Torque Max Drehmoment | Lubrificazione int. Coolant through Innenkuhlung | Lubrificazione est. Ext. coolant Aussenkuhlung | CHIAVI NON INCLUSE Keys not included Schlüssel nicht einbegriffen | |
|------------|--------------------------------|-----|------|--|--|--|---|--------|
| NKM0230520 | ER A 20 | 1:1 | 6000 | 35Nm | - | X | CHUB36 | CHUB22 |
| NKM0230620 | ER A 20 | 1:1 | 6000 | 35Nm | P=30bar | | CHUB36 | CHUB22 |

CMZ
MOD: TTS 38 - TTS 46 - TTS 52 - TTS 66

MODULO MOTORIZZATO RADIALE
Radial driven tool
Radial angetriebenes Werkzeug

Subject to change without notice.



M.T. srl
Via Casino Albini 480
Tel. 0541/956034-957884
Fax 0541/956341
47842 S. GIOVANNI IN M. (RN)
e-mail: mtma@mtmarchetti.com
http://www.mtmarchetti.com



PAGINA CMZ010-4-00