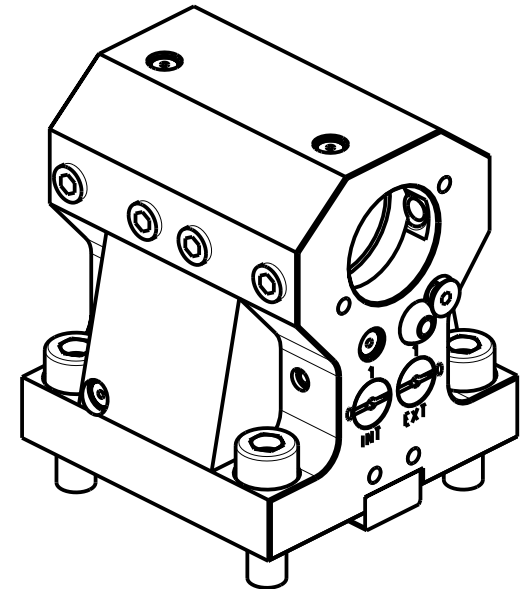


KIT ADDUZIONE INTERNA (OPZIONALE)
 KIT FOR INTERNAL COOLANT (OPTIONAL)
 KIT FUER INTERNE KUEHLMITTELZUFUHR (OPTIONAL)
 Ø32-Ø1 1/4" cod. KIT1000001
 Ø40 cod. KIT1000018



PER BOCCOLE DI RIDUZIONE VEDI PAG. TBL150-1-00
 FOR REDUCING BUSHINGS SEE PAGE TBL150-1-00
 FÜR REDUZIERBUCHSE SIEHE SEITE TBL150-1-00

| Cod. MT | N°Utensili N°Tools N°Werkzeuge | Reversibile lato mandrino/contromandrino Reversible sub/main spindle side Umkehrbare Spindel-seite/ Gegenspindel-seite | Lubrificazione int. opzionale Coolant through optional Innenkuehlung Optional | Lubrificazione est. Ext. coolant Aussehenkuehlung | D |
|------------|--------------------------------------|---|--|---|----|
| NKM0303200 | 1 | X | X | X | 32 |
| NKM0304000 | 1 | X | X | X | 40 |

CHIAH CHYUN

MOD: CT1/CT2/CT3-52/65/76 YM/Y2M/Y2MS

PORTAUTENSILE ASSIALE PER BARENO Ø32mm / Ø40mm H=75mm

Axial single boring bar holder Ø32mm / Ø40mm H=75mm

Axial Bohrhälter Ø32mm / Ø40mm H=75mm

Subject to change without notice.

M.T. srl
 Via Casino Albini 480
 Tel. 0541/956034-957884
 Fax 0541/956341
 47842 S. GIOVANNI IN M. (RN)
 e-mail: mtma@mtmarchetti.com
 http://www.mtmarchetti.com



PAGINA CCM650-1-10