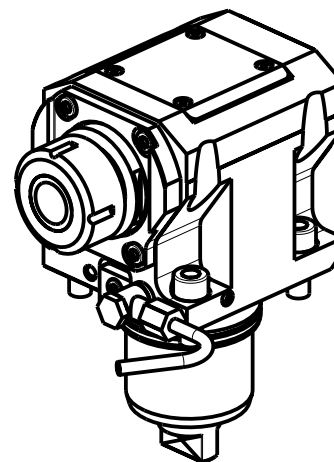


### ATTENZIONE - ATTENTION - ACHTUNG

- Per lo smontaggio degli utensili utilizzare sempre la chiave di contrasto come indicato nel manuale d'uso.
- For disassembly of the tools use always the contrast key as mentioned in the user instructions.
- Fuer das Abmontieren der Werkzeuge immer den Gegenschlüssel benutzen wie in der Bedienungsanleitung erwähnt.

- Chiave inclusa
- Key included
- Schlüssel inbegriffen



Cod. MT	Mandrino Spindle Spindel	I	RPM	Coppia Max Max Torque Max Drehmoment	Reversibile lato mandrino/contromandrino Reversible sub/main spindle side Umkehrbare Spindel-seite/ Gegenspindel-seite	Lubr.interna Coolant through Innenkuehlung	Lubr.esterna Ext. coolant Aussenkuehlung	A	A1	B	CHIAVI NON INCLUDE Keys not included Schlüssel nicht einbegriffen	
NKM0740132	ER32	1:1	6000	70Nm	X	-	X	88.66	-	56	CHSTER32	OKU0650004 ■
NKM0740232	ER32	1:1	6000	70Nm	X	P=70bar	X	88.66	-	67	CHSTER32	OKU0650004 ■
NKM0740140	ER40	1:1	6000	70Nm	X	-	X	99.16	-	56	CHSTER40	OKU0650004 ■
NKM0740240	ER40	1:1	6000	70Nm	X	P=70bar	X	99.16	-	67	CHSTER40	OKU0650004 ■
NKM0740716	WELDON16	1:1	6000	70Nm	X	-	X	-	91.5	56	-	-
NKM0740816	WELDON16	1:1	6000	70Nm	X	P=70bar	X	-	91.5	67	-	-

CHIAH CHYUN

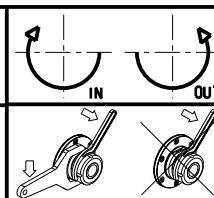
MOD: CT1/CT2/CT3-52/65/76 YM/Y2M/Y2MS

MODULO MOTORIZZATO ASSIALE H=65mm

Axial driven tool H=65mm

Axial angetriebenes Werkzeug H=65mm

Subject to change without notice.



**M.T. srl**

Via Casino Albini 480  
Tel. 0541/956034-957884  
Fax 0541/956341  
47842 S. GIOVANNI IN M. (RN)  
e-mail: mtma@mtmarchetti.com  
http://www.mtmarchetti.com



PAGINA CCM150-1-21