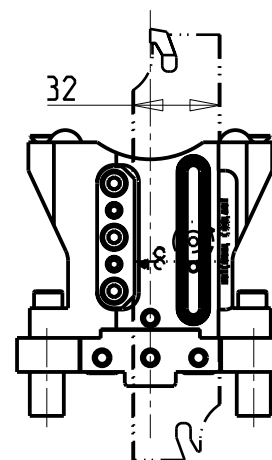
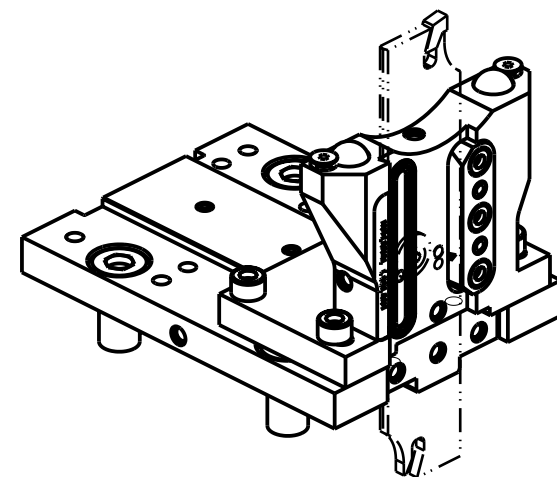


versione dx  
right version  
version rechts



versione sx  
left version  
version links



**KIT LAME NON INCLUSI (OPZIONALI)  
BLADES NOT SUPPLIED WITH (OPTIONAL)  
KLINGEN NICHT INBEGRIFFEN (OPTIONAL)**

- LAMA-BLADE-KLINGE SANDVIK H=32 sp.3 cod. QD\_NN2G60C25A  
+INSERTI-INSERTS-EINLAGEN cod. QD\_NG\_0300\_0002\_CM\_1145 (10 pz.)
- LAMA-BLADE-KLINGE SANDVIK H=32 sp.4 cod. QD\_NN2H60C25A  
+INSERTI-INSERTS-EINLAGEN cod. QD\_NH\_0400\_0002\_CM\_1145 (10 pz.)
- LAMA-BLADE-KLINGE ISCAR H=32 sp.3 cod. SGFH\_32K\_3  
+INSERTI-INSERTS-EINLAGEN cod. 6011365 (10pz.)
- LAMA-BLADE-KLINGE ISCAR H=32 sp.4 cod. SGFH\_32K\_4  
+INSERTI-INSERTS-EINLAGEN cod. 6011366 (10pz.)
- LAMA-BLADE-KLINGE WALTER H=32 sp.3 cod. G2042.32N-3T45SX-P  
+INSERTI-INSERTS-EINLAGEN cod. SX-3E300N02-CE4 WSM33S (10pz.) + CHIAVE-KEY cod. FS1494
- LAMA-BLADE-KLINGE WALTER H=32 sp.4 cod. G2042.32N-4T50SX-P  
+INSERTI-INSERTS-EINLAGEN cod. SX-4E400N02-CE4 WSM33S (10pz.) + CHIAVE-KEY cod. FS1494

| Cod. MT  |  | N°Utensili<br>N°Tools<br>N°Werkzeuge | Reversibile lato<br>mandrino/contromandrino<br>Reversible sub/main<br>spindle side<br>Umkehrbare Spindel-seite/<br>Gegenspindel-seite | Lubr.esterna<br>Ext. coolant<br>Auslenkuehlung | Lubr.interna<br>Coolant through<br>Innenkuehlung |
|--|--|--------------------------------------|---|--|--|
| versione dx<br>right version<br>version rechts | versione sx<br>left version<br>version links |                                      |   |  |  |
| DW 01730132R                                   | DW 01730132L                                 | 1                                    | X   | X  | P=70bar  |

**DN SOLUTIONS (DOOSAN) BMT 65**

MOD: PUMA 300M/MS - V400M - TT2000SY-TT2500SY-TT2500MS - PUMA 2100-2600M/MS/Y/SY (BMT65) - PUMA 3100 M/Y  
MX2000ST - MX2500LT/ST/LST - MX2600T-ST - VT 450M/TM - PUMA GT3100 M - SMX2600/3100ST - PUMA DNT2100-2600M (BMT65)

**PORTAUTENSILE RADIALE PER LAMA CON LUBRIFICAZIONE INTERNA**

Radial blade holder with internal coolant

Radial Abstechhalter mit Innenkuehlung

Subject to change without notice.

**M.T. srl**

Via Casino Albini 480  
Tel. 0541/956034-957884  
Fax 0541/956341  
47842 S. GIOVANNI IN M. (RN)  
e-mail: mtma@mtmarchetti.com  
http://www.mtmarchetti.com



PAGINA DW0520-3-05