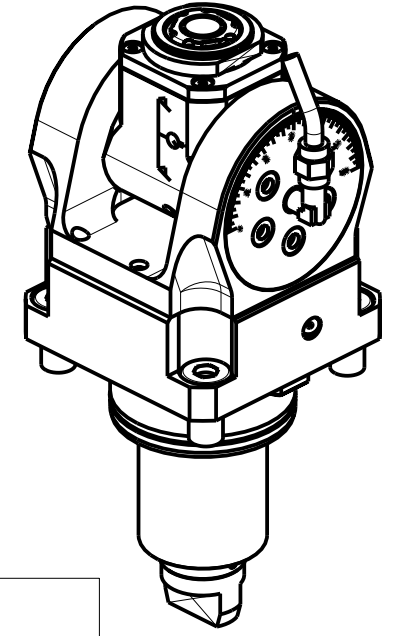


**ATTENZIONE - ATTENTION - ACHTUNG**

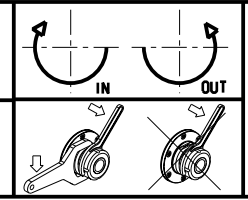
- Per lo smontaggio degli utensili utilizzare sempre la chiave di contrasto come indicato nel manuale d'uso.
- For disassembly of the tools use always the contrast key as mentioned in the user instructions.
- Fuer das Abmontieren der Werkzeuge immer den Gegenschlüssel benutzen wie in der Bedienungsanleitung erwäehnt.



| Cod. MT    | Mandrino Spindle Spindel | I   | RPM  | Coppia Max Max Torque Max Drehmoment | Reversibile lato mandrino/contromandrino Reversible sub/main spindle side Umkehrbare Spindel-seite/ Gegenspindel-seite | Lubrificazione int. Coolant through Innenkuehlung | Lubrificazione est. Ext. coolant Aussenkuehlung | CHIAVI INCLUDE Keys included Schluessel inbegriffen |        |            |         |
|------------|--------------------------|-----|------|--------------------------------------|--|---|---|---|--------|------------|---------|
|            |                          |     |      |                                      |  |   |   | CHUB36  | CHUB22 | CHTAER20ZC | CHESL08 |
| DW01940120 | ERA20                    | 1:1 | 6000 | 30Nm                                 | X  | -   | X   | CHUB36  | CHUB22 | CHTAER20ZC | CHESL08 |
| DW01940220 | ERA20                    | 1:1 | 6000 | 30Nm                                 | X  | P=70bar   | X   | CHUB36  | CHUB22 | CHTAER20ZC | CHESL08 |

**DN SOLUTIONS (DOOSAN) BMT 65**  
 MOD: PUMA 300M/MS - TT2000SY-TT2500SY-TT2500MS - PUMA 2100-2600M/MS/Y/SY (BMT65) - PUMA 3100 M/Y  
 PUMA INVERTURN 3000M - MX2000ST - MX2500LT/ST/LST - MX2600T-ST - PUMA GT3100 M - SMX2600/3100ST - PUMA DNT2100-2600M (BMT65)

**MODULO MOTORIZZATO ORIENTABILE ±90° H=72mm**  
 ±90° adjustable angle driven tool H=72mm  
 Angetriebenes Werkzeug schwenkbar ±90° H=72mm



**M.T. srl**  
 Via Casino Albini 480  
 Tel. 0541/956034-957884  
 Fax 0541/956341  
 47842 S. GIOVANNI IN M. (RN)  
 e-mail: mtma@mtmarchetti.com  
 http://www.mtmarchetti.com



PAGINA DW0335-3-00

Subject to change without notice.

09/2023