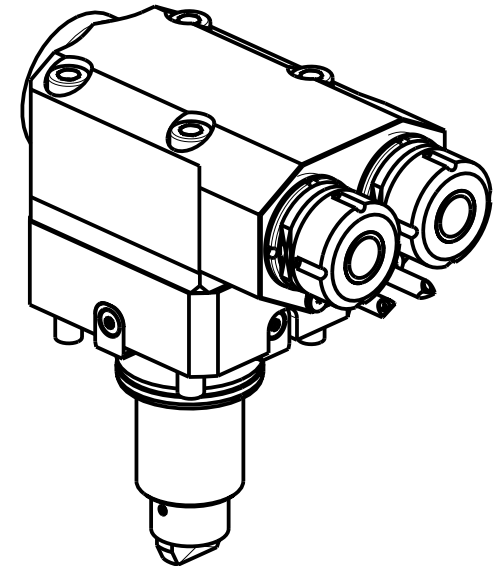
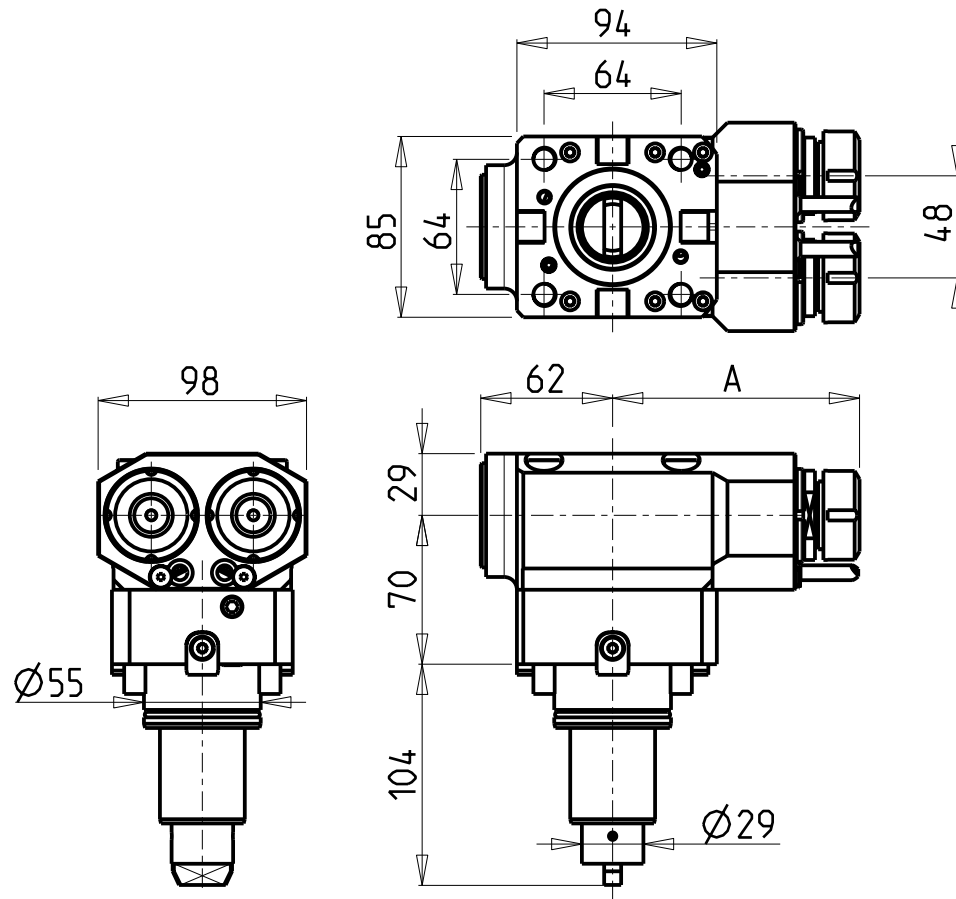


## ATTENZIONE - ATTENTION - ACHTUNG

- Per lo smontaggio degli utensili utilizzare sempre la chiave di contrasto come indicato nel manuale d'uso.
- For disassembly of the tools use always the contrast key as mentioned in the user instructions.
- Fuer das Abmontieren der Werkzeuge immer den Gegenschlüssel benutzen wie in der Bedienungsanleitung erwahnt.



| Cod. MT    | Mandrino<br>Spindle<br>Spindel | I   | RPM  | Coppia Max<br>Max Torque<br>Max Drehmoment | Reversibile lato<br>mandrino/contromandrino<br>Reversible sub/main<br>spindle side<br>Umkehrbare Spindel-seite/<br>Gegenspindel-seite | Lubrificazione est.<br>Ext. coolant<br>Aussenkuehlung | A      | CHIAVI NON INCLUSE<br>Keys not included<br>Schlüssel nicht einbegriffen |            |
|------------|--------------------------------|-----|------|--------------------------------------------|---------------------------------------------------------------------------------------------------------------------------------------|-------------------------------------------------------|--------|-------------------------------------------------------------------------|------------|
|            |                                |     |      |                                            |                                                                                                                                       |                                                       |        | CHMNER16                                                                | CHUB17     |
| DW00102216 | ER16                           | 1:1 | 6000 | 30Nm                                       | X                                                                                                                                     | X                                                     | 115.15 | CHMNER16                                                                | CHUB17     |
| DW00102225 | ER25                           | 1:1 | 6000 | 30Nm                                       | X                                                                                                                                     | X                                                     | 115.61 | CHSTER25                                                                | MNL0210007 |

VICTOR

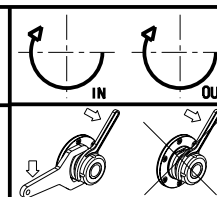
MOD: VTURN-A16/A20/A200 CM/SCM/YCM/YSCM - VTURN-Q200

MODULO MOTORIZZATO ASSIALE 2 USCITE IN Y H=70mm

Axial single side twin head driven tool in Y H=70mm

Axial angetriebenes Werkzeug 2 Ausgaenge in Y H=70mm

Subject to change without notice.



**M.T. srl**

Via Casino Albini 480  
Tel. 0541/956034-957884  
Fax 0541/956341  
47842 S. GIOVANNI IN M. (RN)  
e-mail: mtma@mtmarchetti.com  
http://www.mtmarchetti.com



PAGINA VCT260-1-20

09/2023