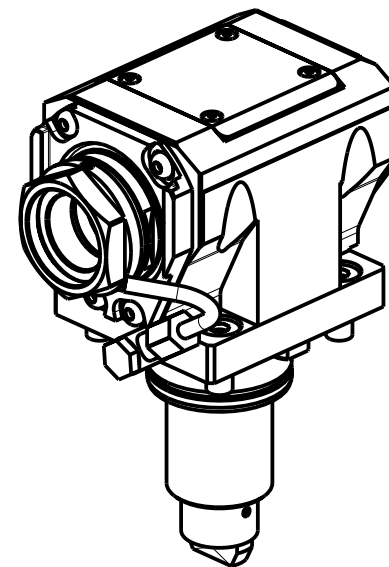


ATTENZIONE - ATTENTION - ACHTUNG

- Per lo smontaggio degli utensili utilizzare sempre la chiave di contrasto come indicato nel manuale d'uso.
- For disassembly of the tools use always the contrast key as mentioned in the user instructions.
- Fuer das Abmontieren der Werkzeuge immer den Gegenschlüssel benutzen wie in der Bedienungsanleitung erwäehnt.



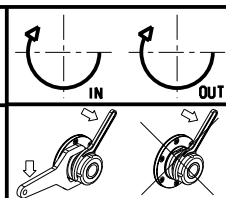
PER PORTAUTENSILI MODULARI MTSK-40 VEDI PAG. TBL300-1-40
 FOR MTSK-40 QUICK CHANGE TOOLHOLDERS CLAMPINGS SEE PAGE TBL300-1-40
 FUER MTSK-40 MODULARE WERKZEUGAUFNAHMEN SIEHE SEITE TBL300-1-40

| Cod. MT | Mandrino Spindle Spindel | I | RPM | Coppia Max Max Torque Max Drehmoment | Reversibile lato mandrino/contromandrino Reversible sub/main spindle side Umkehrbare Spindel-seite/Gegenspindel-seite | Lubr.interna Coolant through Innenkuehlung | Lubr.esterna Ext. coolant Aussenkuehlung | B | CHIAVI NON INCLUSE Keys not included Schlüssel nicht einbegriffen | |
|------------|--------------------------|-----|------|--------------------------------------|---|--|--|------|---|--------------|
| DW00770140 | MTSK-40 | 1:1 | 6000 | 70Nm | X | - | X | 54.5 | CHUB46 | OKU0650004 • |
| DW00770240 | MTSK-40 | 1:1 | 6000 | 70Nm | X | P=70bar | X | 65.5 | CHUB46 | OKU0650004 • |

- Chiave inclusa
- Key included
- Schlüssel inbegriffen

VICTOR
 MOD: VTURN-A16/A20 CM/SCM/YCM/YSCM - VTURN-Q200 - VTURN-NP20CM

MODULO MOTORIZZATO ASSIALE MTSK H=60mm
 Axial MTSK driven tool H=60mm
 Axial MTSK angetriebenes Werkzeug H=60mm



M.T. srl
 Via Casino Albini 480
 Tel. 0541/956034-957884
 Fax 0541/956341
 47842 S. GIOVANNI IN M. (RN)
 e-mail: mtma@mtmarchetti.com
 http://www.mtmarchetti.com

PRODUZIONE MODULI ROTANTI



PAGINA VCT150-1-11-K

Subject to change without notice.

04/2021