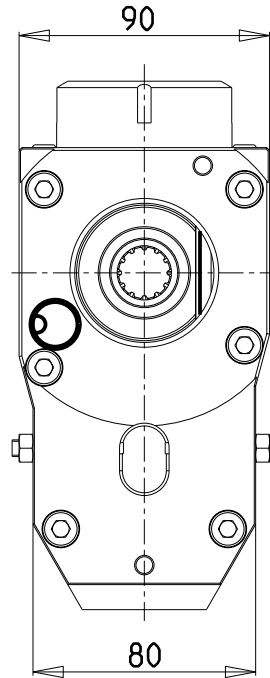
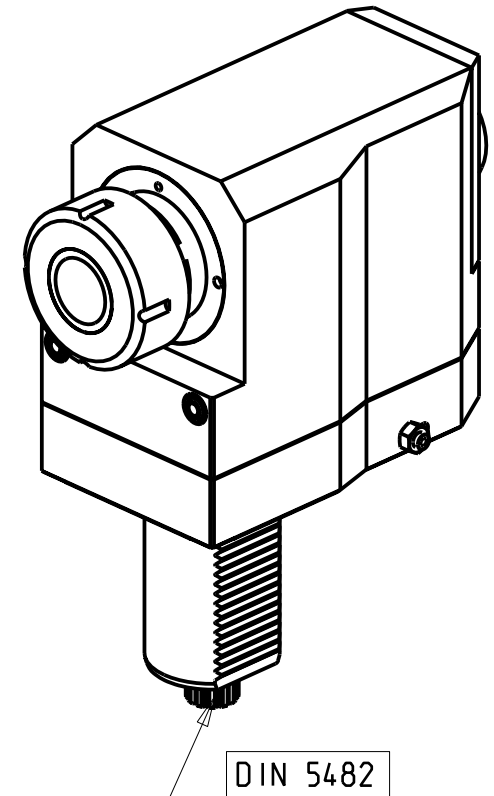
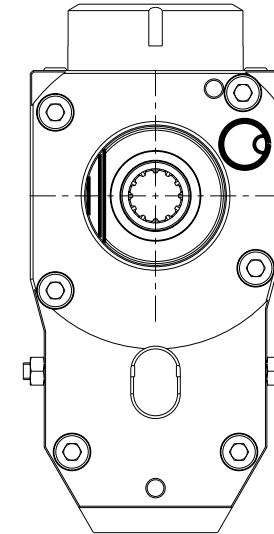


versione dx  
right version  
version rechts



versione sx  
left version  
version links



DIN 5482

Cod. MT

versione dx  
right version  
version rechts

versione sx  
left version  
version links

Mandrino  
Spindel  
Spindel

i

RPM

Coppia Max  
Max Torque  
Max Drehmoment

Lubrificazione est.  
Ext. coolant  
Aussenkuehlung

CHIAVI NON INCLUSE  
Keys not included  
Schluessel nicht einbegriffen

241SAU\_R40\_50D00

241SAU\_R40\_50D20

ER40

1:1

4000

100Nm

X

CHUB42

CHSTER40

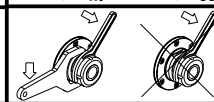
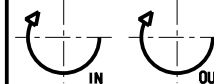
SAUTER  
VDI 50

MODULO MOTORIZZATO RADIALE ARRETRATO VDI50 DIN 5482

Radial rear-set driven tool VDI50 DIN 5482

Radial angetriebenes Werkzeug zurueckversetzt VDI50 DIN 5482

Subject to change without notice.



**M.T. srl**

Via Casino Albini 480  
Tel. 0541/956034-957884  
Fax 0541/956341

47842 S. GIOVANNI IN M. (RN)  
e-mail: mtma@mtmarchetti.com  
http://www.mtmarchetti.com



PAGINA SAU015-4-00

09/2023