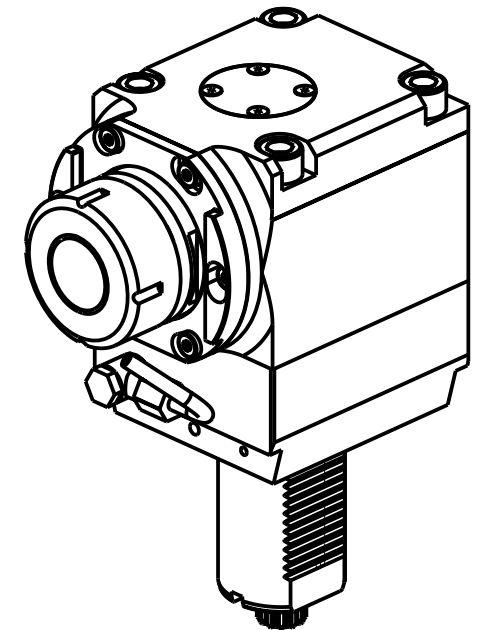
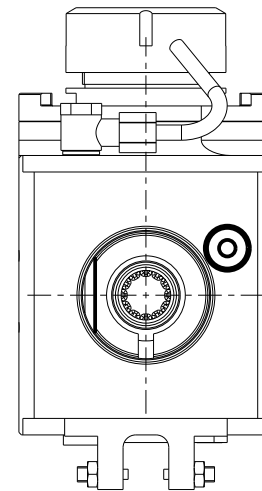
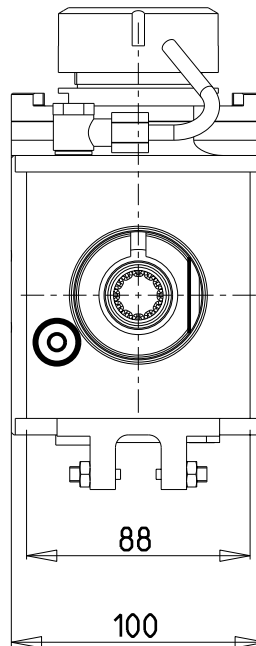


versione dx  
right version  
version rechts

versione sx  
left version  
version links



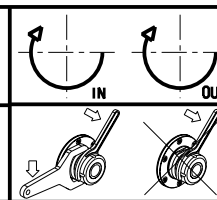
DIN 5482

- Chiave inclusa
- Key included
- Schluessel inbegriffen

Cod. MT		Mandrino Spindle Spindel	i	RPM	Coppia Max Max Torque Max Drehmoment	Lubrificazione int. Coolant through Innenkuehlung	Lubrificazione est. Ext. coolant Aussenkuehlung	B	CHIAVI NON INCLUDE Keys not included Schluessel nicht einbegriffen	
versione dx right version version rechts	versione sx left version version links								CHSTER40	OKU0430007 *
SAU1040140	SAU1041140	ER40	1:1	4000	100Nm	-	X	58	CHSTER40	OKU0430007 *
SAU1040240	SAU1041240	ER40	1:1	4000	100Nm	P=70bar	X	66.5	CHSTER40	OKU0430007 *

SAUTER  
VDI 50

MODULO MOTORIZZATO RADIALE VDI50 DIN 5482  
Radial driven tool VDI50 DIN 5482  
Radial angetriebenes Werkzeug VDI50 DIN 5482



**M.T. srl**  
Via Casino Albini 480  
Tel. 0541/956034-957884  
Fax 0541/956341  
47842 S. GIOVANNI IN M. (RN)  
e-mail: mtma@mtmarchetti.com  
http://www.mtmarchetti.com



PAGINA SAU014-4-80

Subject to change without notice.

09/2023