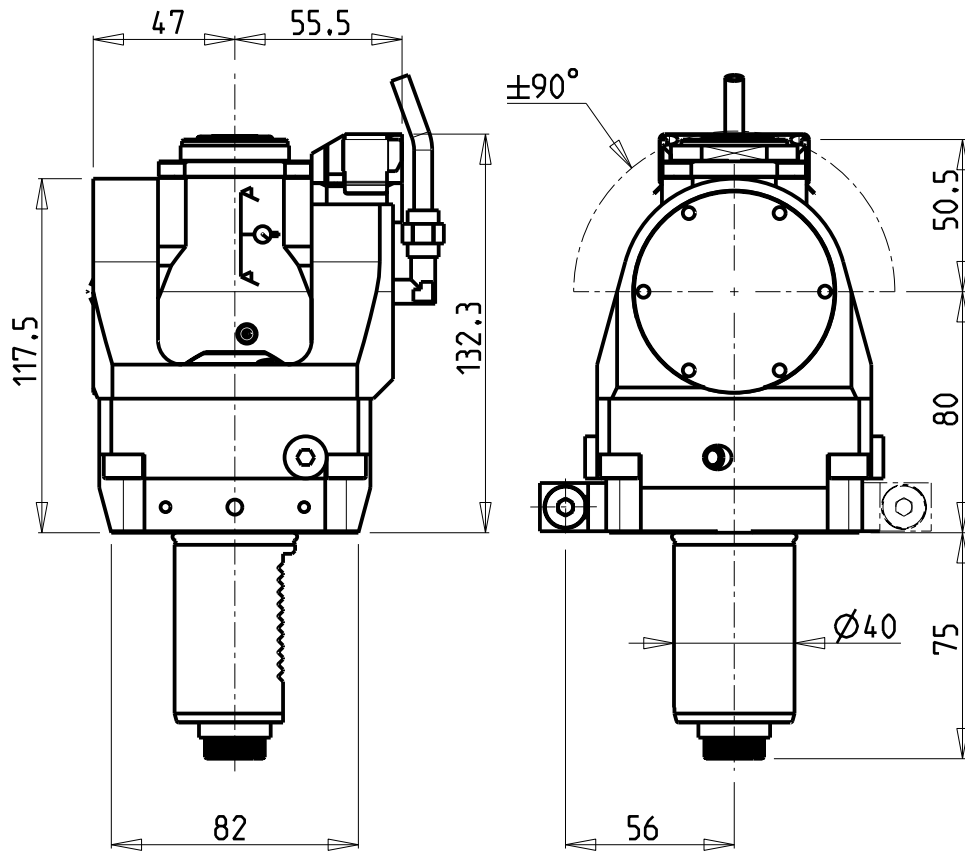


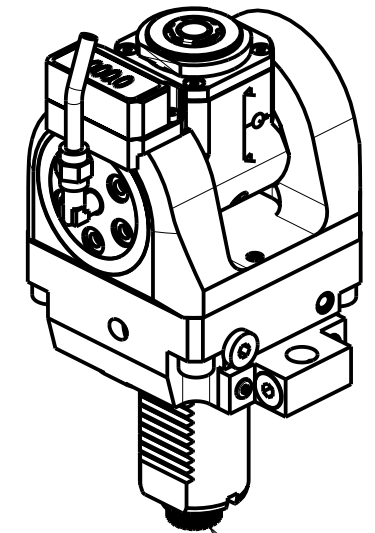
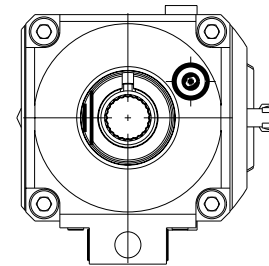
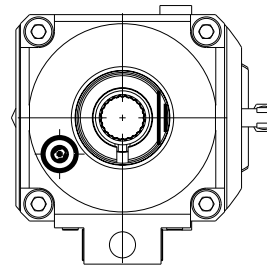
ATTENZIONE - ATTENTION - ACHTUNG

- Per lo smontaggio degli utensili utilizzare sempre la chiave di contrasto come indicato nel manuale d'uso.
- For disassembly of the tools use always the contrast key as mentioned in the user instructions.
- Fuer das Abmontieren der Werkzeuge immer den Gegenschlüssel benutzen wie in der Bedienungsanleitung erwaeht.



versione dx
right version
version rechts

versione sx
left version
version links

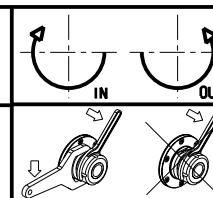


DIN 5480

| Cod. MT | | Mandrino Spindle Spindel | I | RPM | Coppia Max Max Torque Max Drehmoment | Lubrificazione int. Coolant through Innenkuehlung | Lubrificazione est. Ext. coolant Aussenkuehlung | CHIAVI INCLUSE Keys included Schlüssel inbegriffen | | |
|------------------------------------------------|----------------------------------------------|--------------------------------|-----|-------|--------------------------------------------|---------------------------------------------------------|-------------------------------------------------------|----------------------------------------------------------|--------|------------|
| versione dx right version version rechts | versione sx left version version links | | | | | | | CHUB19_SP3 | CHUB32 | CHTAER16ZC |
| SAU0755316 | SAU0756316 | ERA16 | 1:2 | 12000 | 8Nm | - | X | CHUB19_SP3 | CHUB32 | CHTAER16ZC |
| SAU0755416 | SAU0756416 | ERA16 | 1:2 | 12000 | 8Nm | P=70bar | X | CHUB19_SP3 | CHUB32 | CHTAER16ZC |

SAUTER
VDI 40

MODULO MOTORIZZATO ORIENTABILE ±90° MOLTIPLICATO I=1:2 CON NONIO DIGITALE VDI40 DIN 5480
±90° adjustable angle driven tool geared-up I=1:2 with digital display VDI40 DIN 5480
Angetriebenes Werkzeug schwenkbar ±90° uebersetzt I=1:2 mit digital display VDI40 DIN 5480



M.T. srl

Via Casino Albini 480
Tel. 0541/956034-957884
Fax 0541/956341
47842 S. GIOVANNI IN M. (RN)
e-mail: mtma@mtmarchetti.com
http://www.mtmarchetti.com



PAGINA SAU019-3-81

Subject to change without notice.

09/2023