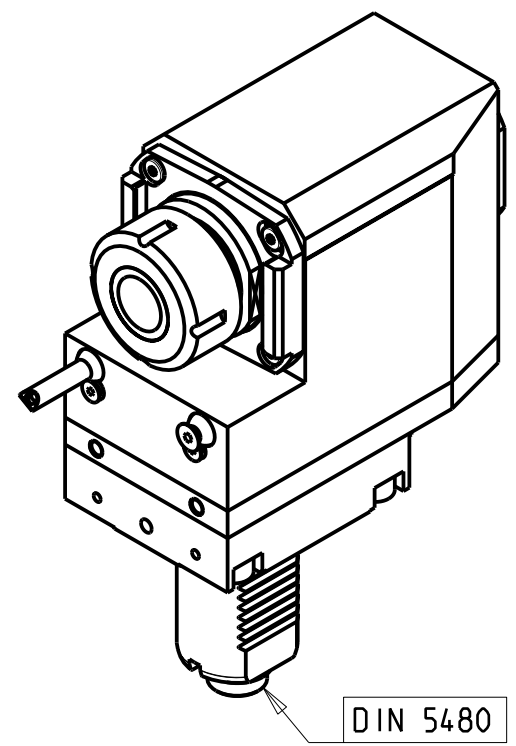
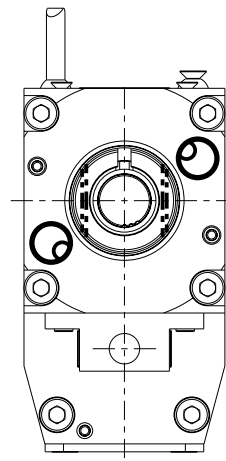
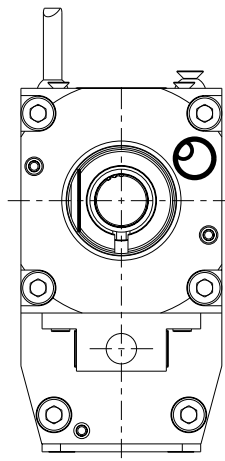
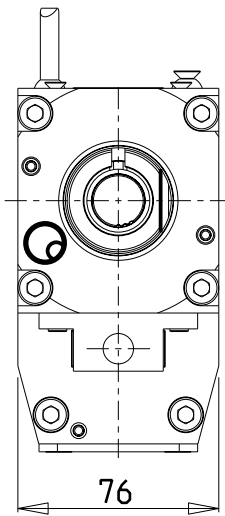


versione dx
right version
version rechts

versione sx
left version
version links

versione universale
universal version
universal version



DIN 5480

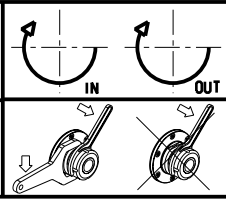
Cod. MT			Mandrino Spindle Spindel	I	RPM	Coppia Max Max Torque Max Drehmoment	Lubrificazione int. Coolant through Innenkuehlung	Lubrificazione est. Ext. coolant Aussenkuehlung	A	B	CHIAVI NON INCLUDE Keys not included Schluessel nicht einbegriffen	
versione dx right version version rechts	versione sx left version version links	versione universale universal version universal version										
SAU0150525	SAU0151525	SAU0152525	ER25	1:2	12000	40Nm	-	X	42.66	95	CHSTER25	MNZ0410005 ▪
SAU0150625	SAU0151625	SAU0152625	ER25	1:2	12000	40Nm	P=70bar	X	42.66	108.5	CHSTER25	MNZ0410005 ▪
SAU0150532	SAU0151532	SAU0152532	ER32	1:2	12000	40Nm	-	X	45.66	95	CHSTER32	MNZ0410005 ▪
SAU0150632	SAU0151632	SAU0152632	ER32	1:2	12000	40Nm	P=70bar	X	45.66	108.5	CHSTER32	MNZ0410005 ▪

- Chiave inclusa
- Key included
- Schluessel inbegriffen

SAUTER
VDI 40

MODULO MOTORIZZATO RADIALE ARRETRATO MOLTIPLICATO I=1:2 VDI40 DIN 5480
Radial geared-up I=1:2 rear-set driven tool VDI40 DIN 5480
Radial angetriebenes Werkzeug zurueckversetzt uebersetzt I=1:2 VDI40 DIN 5480

Subject to change without notice.



M.T. srl
Via Casino Albini 480
Tel. 0541/956034-957884
Fax 0541/956341
47842 S. GIOVANNI IN M. (RN)
e-mail: mtma@mtmarchetti.com
http://www.mtmarchetti.com



PAGINA SAU018-3-72