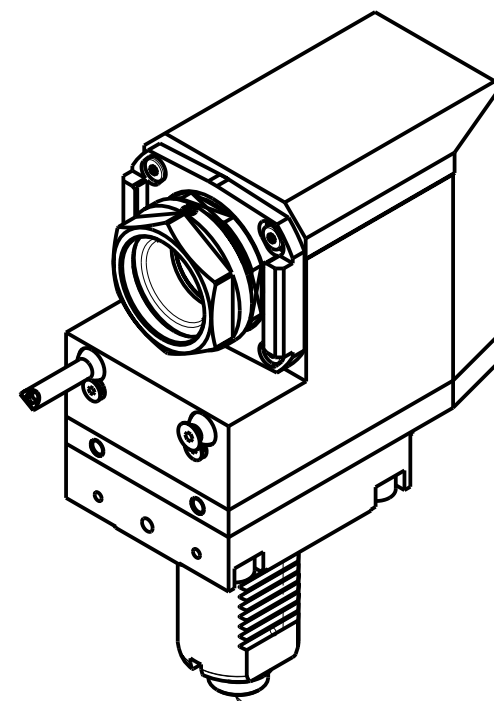
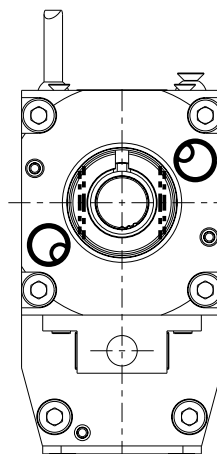
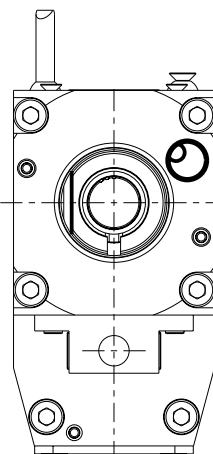
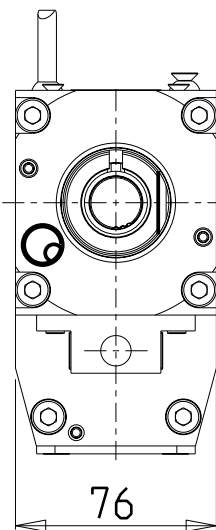


versione dx
right version
version rechts

versione sx
left version
version links

versione universale
universal version
universal version



DIN 5480

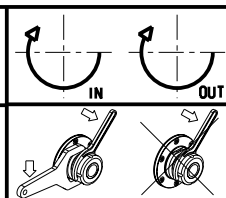
PER PORTAUTENSILI MODULARI MTSK-40 VEDI PAG. TBL300-1-40
FOR MTSK-40 QUICK CHANGE TOOLHOLDERS CLAMPINGS SEE PAGE TBL300-1-40
FUER MTSK-40 MODULARE WERKZEUGAUFNAHMEN SIEHE SEITE TBL300-1-40

Cod. MT			Mandrino Spindle Spindel	I	RPM	Coppia Max Max Torque Max Drehmoment	Lubrificazione int. Coolant through Innenkuehlung	Lubrificazione est. Ext. coolant Aussenkuehlung	B	CHIAVI NON INCLUSE Keys not included Schlüssel nicht einbegriffen	
versione dx right version version rechts	versione sx left version version links	versione universale universal version universal version								CHUB46	MNZ04 10005 *
SAU0710540	SAU0711540	SAU0712540	MTSK-40	1:2	12000	40Nm	-	X	95	CHUB46	MNZ04 10005 *
SAU0710640	SAU0711640	SAU0712640	MTSK-40	1:2	12000	40Nm	P=70bar	X	108.5	CHUB46	MNZ04 10005 *

- Chiave inclusa
- Key included
- Schlüssel inbegriffen

SAUTER
VDI 40

MODULO MOTORIZZATO RADIALE ARRETRATO MTSK MOLTIPLICATO I=1:2 VDI40 DIN 5480
Radial MTSK geared-up I=1:2 rear-set driven tool VDI40 DIN 5480
Radial MTSK angetriebenes Werkzeug zurueckversetzt uebersetzt I=1:2 VDI40 DIN 5480



M.T. srl
Via Casino Albini 480
Tel. 0541/956034-957884
Fax 0541/956341
47842 S. GIOVANNI IN M. (RN)
e-mail: mtma@mtmarchetti.com
http://www.mtmarchetti.com



PAGINA SAU018-3-72-K

Subject to change without notice.

09/2023