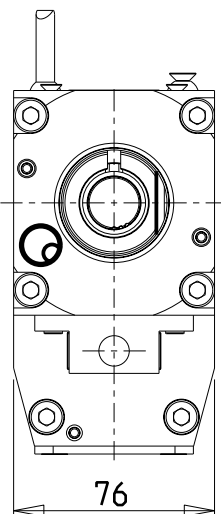
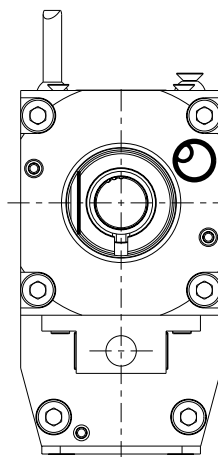


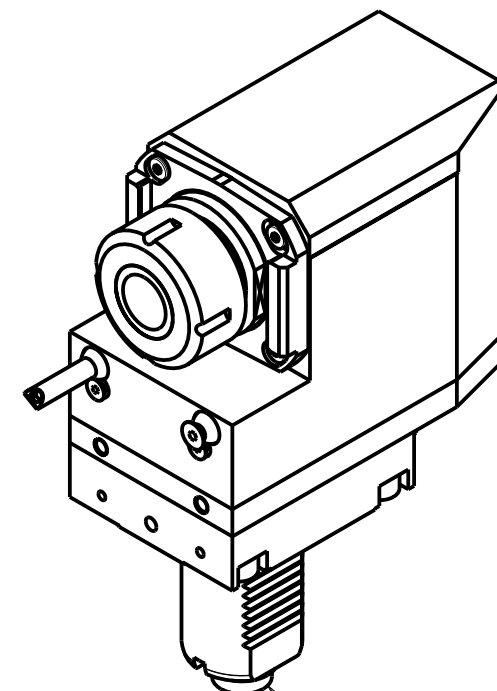
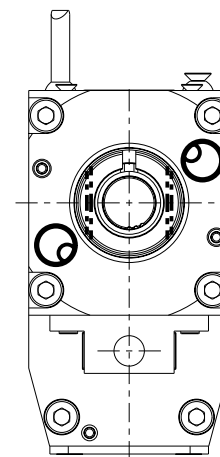
versione dx
right version
version rechts



versione sx
left version
version links



versione universale
universal version
universal version



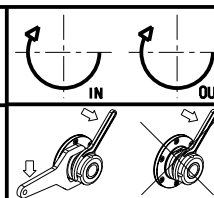
DIN 5480

Cod. MT			Mandrino Spindle Spindel	I	RPM	Coppia Max Max Torque Max Drehmoment	Lubrificazione int. Coolant through Innenkuehlung	Lubrificazione est. Ext. coolant Aussenkuehlung	A	B	CHIAVI NON INCLUSE Keys not included Schluessel nicht einbegriffen	
versione dx right version version rechts	versione sx left version version links	versione universale universal version universal version										
SAU0150325	SAU0151325	SAU0152325	ER25	2:1	3000	90Nm	-	X	42.66	95	CHSTER25	MNZ0410005 ▪
SAU0150425	SAU0151425	SAU0152425	ER25	2:1	3000	90Nm	P=70bar	X	42.66	108.5	CHSTER25	MNZ0410005 ▪
SAU0150332	SAU0151332	SAU0152332	ER32	2:1	3000	90Nm	-	X	45.66	95	CHSTER32	MNZ0410005 ▪
SAU0150432	SAU0151432	SAU0152432	ER32	2:1	3000	90Nm	P=70bar	X	45.66	108.5	CHSTER32	MNZ0410005 ▪

- Chiave inclusa
- Key included
- Schluessel inbegriffen

SAUTER
VDI 40

MODULO MOTORIZZATO RADIALE ARRETRATO RIDOTTO I=2:1 VDI40 DIN 5480
Radial geared-down I=2:1 rear-set driven tool VDI40 DIN 5480
Radial angetriebenes Werkzeug zurueckversetzt untersetzt I=2:1 VDI40 DIN 5480



M.T. srl
Via Casino Albini 480
Tel. 0541/956034-957884
Fax 0541/956341
47842 S. GIOVANNI IN M. (RN)
e-mail: mtma@mtmarchetti.com
http://www.mtmarchetti.com



PAGINA SAU018-3-71

Subject to change without notice.

09/2023