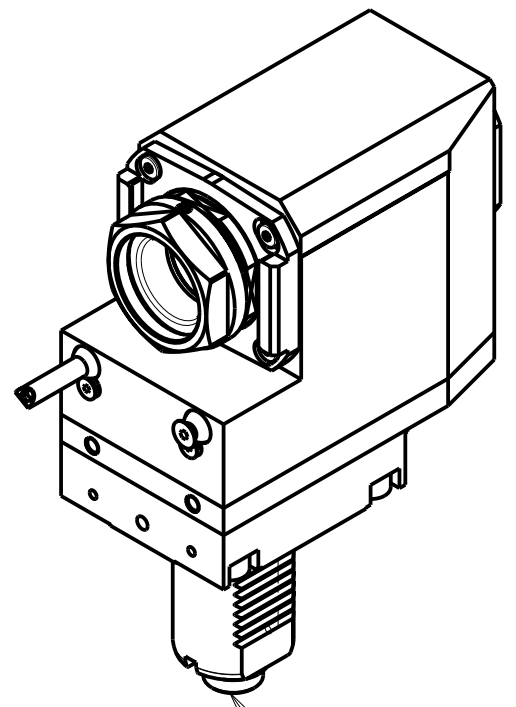
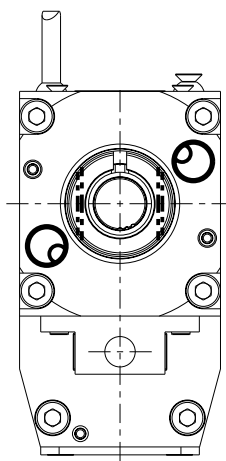
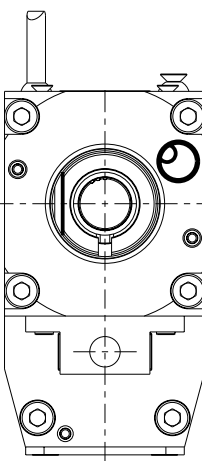
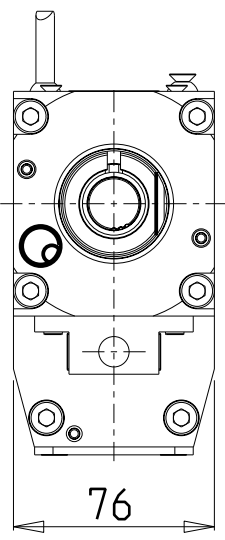


versione dx
right version
version rechts

versione sx
left version
version links

versione universale
universal version
universal version



DIN 5480

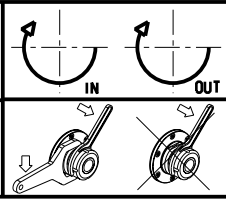
PER PORTAUTENSILI MODULARI MTSK-40 VEDI PAG. TBL300-1-40
FOR MTSK-40 QUIK CHANGE TOOLHOLDERS CLAMPINGS SEE PAGE TBL300-1-40
FUER MTSK-40 MODULARE WERKZEUGAUFNAHMEN SIEHE SEITE TBL300-1-40

- Chiave inclusa
- Key included
- Schlüssel inbegriffen

Cod. MT			Mandrino Spindle Spindel	I	RPM	Coppia Max Max Torque Max Drehmoment	Lubrificazione int. Coolant through Innenkuehlung	Lubrificazione est. Ext. coolant Aussenkuehlung	B	CHIAVI NON INCLUDE Keys not included Schlüssel nicht einbegriffen	
versione dx right version version rechts	versione sx left version version links	versione universale universal version universal version									
SAU0710340	SAU0711340	SAU0712340	MTSK-40	2:1	3000	90Nm	-	X	95	CHUB46	MNZ0410005 *
SAU0710440	SAU0711440	SAU0712440	MTSK-40	2:1	3000	90Nm	P=70bar	X	108.5	CHUB46	MNZ0410005 *

SAUTER
VDI 40

MODULO MOTORIZZATO RADIALE ARRETRATO MTSK RIDOTTO I=2:1 VDI40 DIN 5480
Radial MTSK geared-down I=2:1 rear-set driven tool VDI40 DIN 5480
Radial MTSK angetriebenes Werkzeug zurueckversetzt untersetzt I=2:1 VDI40 DIN 5480



M.T. srl
Via Casino Albini 480
Tel. 0541/956034-957884
Fax 0541/956341
47842 S. GIOVANNI IN M. (RN)
e-mail: mtma@mtmarchetti.com
http://www.mtmarchetti.com



PAGINA SAU018-3-71-K

Subject to change without notice.

09/2023