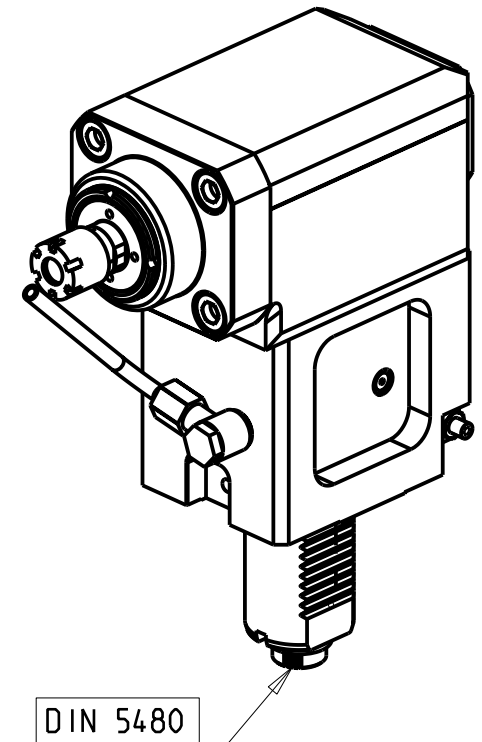
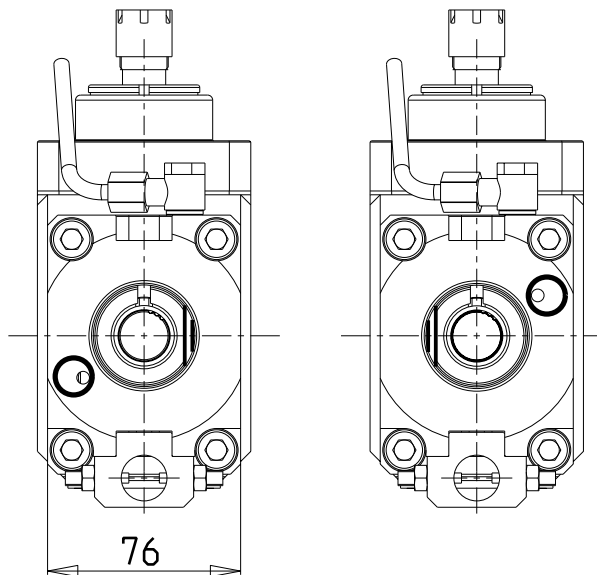


versione dx
right version
version rechts

versione sx
left version
version links

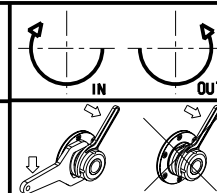


DIN 5480

Cod. MT		Mandrino Spindle Spindel	I	RPM	Coppia Max Max Torque Max Drehmoment	Lubrificazione est. Ext. coolant Aussenkuehlung	CHIAVI INCLUSE Keys included Schlüssel einbegriffen	
versione dx right version version rechts	versione sx left version version links						CHUB17	CHMNER16
SAU0600016	SAU0601016	ER16	1:3	18000	10Nm	X	CHUB17	CHMNER16

SAUTER
VDI 40

MODULO MOTORIZZATO RADIALE MOLTIPLICATO I=1:3 VDI40 DIN 5480 H=130mm
Radial geared-up I=1:3 driven tool VDI40 DIN 5480 H=130mm
Radial angetriebenes Werkzeug uebersetzt I=1:3 VDI40 DIN 5480 H=130mm



M.T. srl
Via Casino Albini 480
Tel. 0541/956034-957884
Fax 0541/956341
47842 S. GIOVANNI IN M. (RN)
e-mail: mtma@mtmarchetti.com
http://www.mtmarchetti.com



PAGINA SAU018-3-24

Subject to change without notice.

09/2023