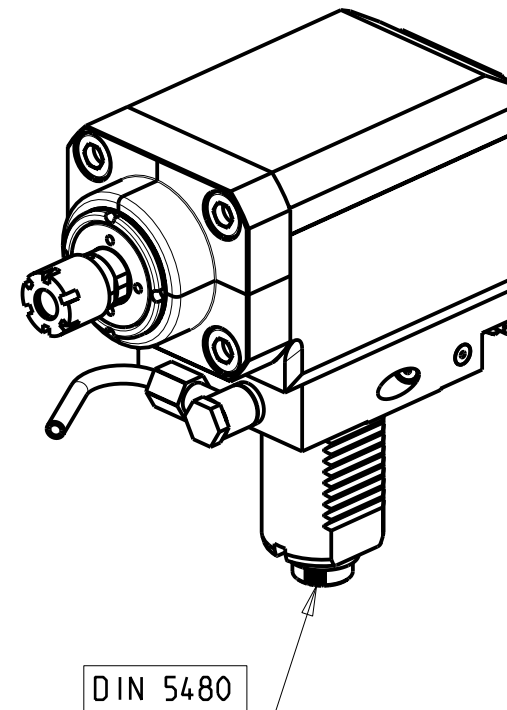
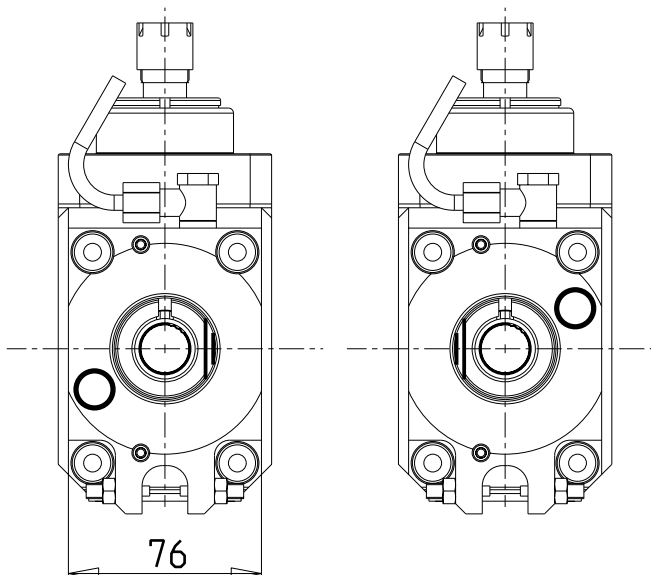


versione dx  
right version  
version rechts

versione sx  
left version  
version links

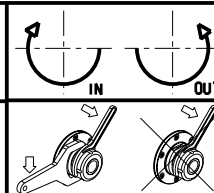


DIN 5480

| Cod. MT  |  | Mandrino<br>Spindle<br>Spindel | i   | RPM   | Coppia Max<br>Max Torque<br>Max Drehmoment | Lubrificazione est.<br>Ext. coolant<br>Aussenkuehlung | CHIAVI INCLUSE<br>Keys included<br>Schlüssel einbegriffen |          |
|--|--|--------------------------------|-----|-------|--|---|---|----------|
| versione dx<br>right version<br>version rechts | versione sx<br>left version<br>version links |                                |     |       |  |   | CHUB17  | CHMNER16 |
| SAU0580016                                     | SAU0581016                                   | ER16                           | 1:3 | 18000 | 10Nm                                       | X   | CHUB17  | CHMNER16 |

SAUTER  
VDI 40

MODULO MOTORIZZATO RADIALE MOLTIPLICATO I=1:3 VDI40 DIN 5480 H=70mm  
Radial geared-up I=1:3 driven tool VDI40 DIN 5480 H=70mm  
Radial angetriebenes Werkzeug uebersetzt I=1:3 VDI40 DIN 5480 H=70mm



**M.T. srl**

Via Casino Albini 480  
Tel. 0541/956034-957884  
Fax 0541/956341

47842 S. GIOVANNI IN M. (RN)  
e-mail: mtma@tmarchetti.com  
http://www.tmmarchetti.com



PAGINA SAU018-3-04

Subject to change without notice.

09/2023