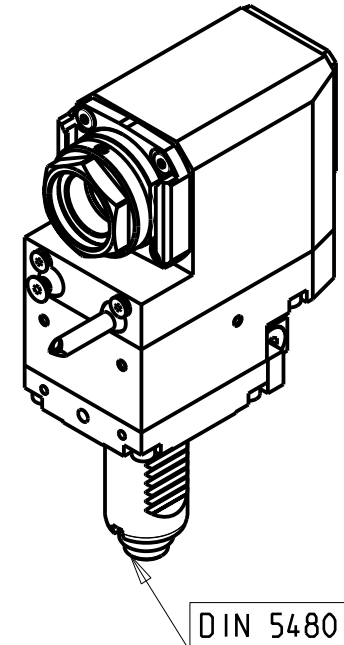
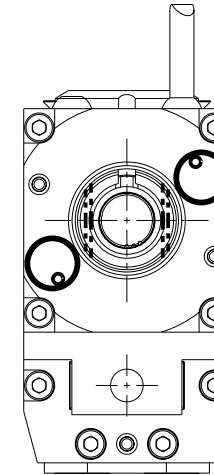
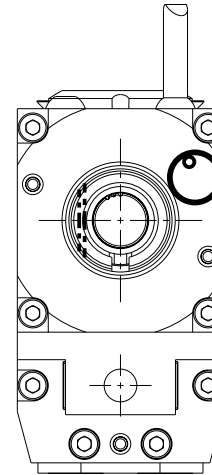
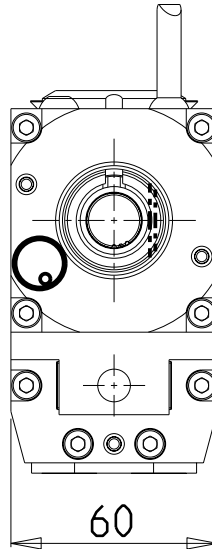


versione dx
right version
version rechts

versione sx
left version
version links

versione universale
universal version
universal version



DIN 5480

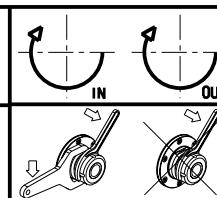
PER PORTAUTENSILI MODULARI MTSK-32 VEDI PAG. TBL300-1-32
FOR MTSK-32 QUIK CHANGE TOOLHOLDERS CLAMPINGS SEE PAGE TBL300-1-32
FUER MTSK-32 MODULARE WERKZEUGAUFNAHMEN SIEHE SEITE TBL300-1-32

- Chiave inclusa
- Key included
- Schlüssel inbegriffen

Cod. MT			Mandrino Spindle Spindel	I	RPM	Coppia Max Max Torque Max Drehmoment	Lubrificazione int. Coolant through Innenkuehlung	Lubrificazione est. Ext. coolant Aussenkuehlung	B	CHIAVI NON INCLUSE Keys not included Schlüssel nicht inbegriffen	
versione dx right version version rechts	versione sx left version version links	versione universale universal version universal version								CHUB36	OKU0290009
SAU0660132	SAU0661132	SAU0662132	MTSK-32	1:1	6000	32Nm	-	X	73.5	CHUB36	OKU0290009
SAU0660232	SAU0661232	SAU0662232	MTSK-32	1:1	6000	32Nm	P=70bar	X	83.5	CHUB36	OKU0290009

SAUTER
VDI 30

MODULO MOTORIZZATO RADIALE ARRETRATO MTSK VDI30 DIN 5480 H=100mm
Radial MTSK rear-set driven tool VDI30 DIN 5480 H=100mm
Radial MTSK angetriebenes Werkzeug zurueckversetzt VDI30 DIN 5480 H=100mm



M.T. srl
Via Casino Albini 480
Tel. 0541/956034-957884
Fax 0541/956341
47842 S. GIOVANNI IN M. (RN)
e-mail: mtma@mtmarchetti.com
http://www.mtmarchetti.com



PAGINA SAU018-2-80-K

Subject to change without notice.

09/2023