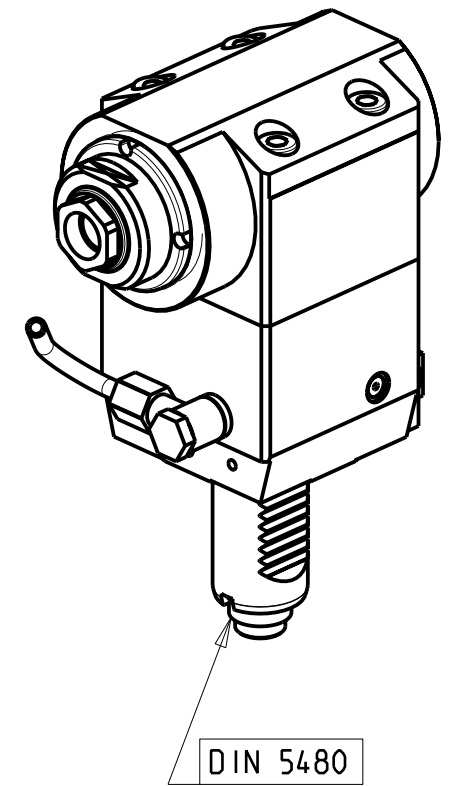
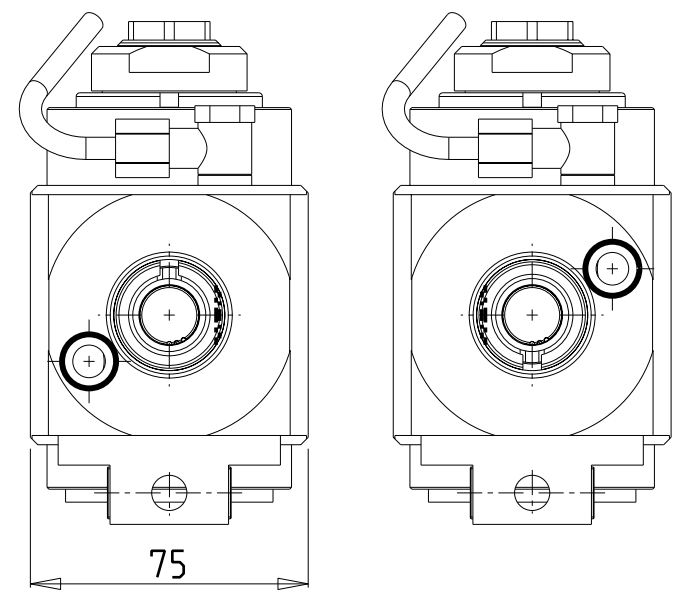


versione dx  
right version  
version rechts

versione sx  
left version  
version links

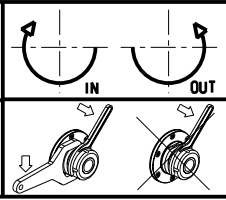


Cod. MT		Mandrino Spindle Spindel	I	RPM	Coppia Max Max Torque Max Drehmoment	Lubrificazione int. Coolant through Innenkuehlung	Lubrificazione est. Exl. coolant Aussenkuehlung	A	B	CHIAVI NON INCLUSE Keys not included Schlüssel nicht einbegriffen	
versione dx right version version rechts	versione sx left version version links										
SAU0340311	SAU0341311	ER11	1:2	12000	20Nm	-	X	83.6	50.5	CHUB36	CHUB17
SAU0340411	SAU0341411	ER11	1:2	12000	20Nm	P=70bar	X	83.6	60.5	CHUB36	CHUB17
SAU0340320	SAU0341320	ER20	1:2	12000	20Nm	-	X	92.2	50.5	CHUB36	CHSTER20
SAU0340420	SAU0341420	ER20	1:2	12000	20Nm	P=70bar	X	92.2	60.5	CHUB36	CHSTER20
SAU0340120	SAU0341120	ERA20	1:2	12000	20Nm	-	X	72.5	50.5	CHUB36	CHUB22
SAU0340220	SAU0341220	ERA20	1:2	12000	20Nm	P=70bar	X	72.5	60.5	CHUB36	CHUB22

SAUTER  
VDI 30

MODULO MOTORIZZATO RADIALE MOLTIPLICATO I = 1:2 VDI30 DIN5480  
Radial geared-up I=1:2 driven tool VDI30 DIN 5480  
Radial angetriebenes Werkzeug uebersetzt I=1:2 VDI30 DIN 5480

Subject to change without notice.



**M.T. srl**  
Via Casino Albini 480  
Tel. 0541/956034-957884  
Fax 0541/956341  
47842 S. GIOVANNI IN M. (RN)  
e-mail: mtma@mtmarchetti.com  
http://www.mtmarchetti.com



PAGINA SAU018-2-13