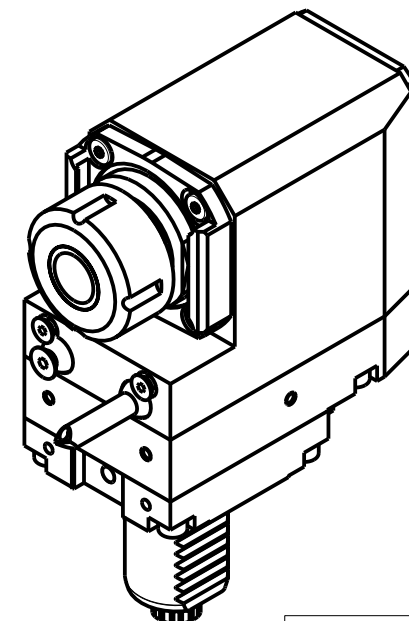
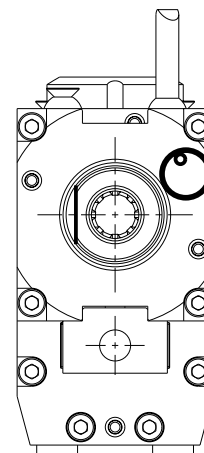
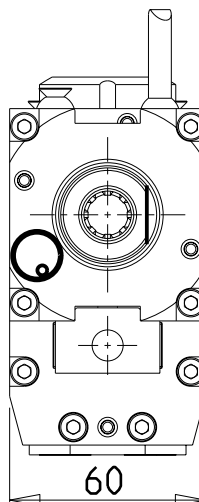


versione dx  
right version  
version rechts

versione sx  
left version  
version links



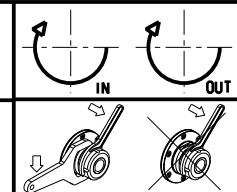
DIN 5482

| Cod. MT  |  | Mandrino<br>Spindle<br>Spindel | i   | RPM  | Coppia Max<br>Max Torque<br>Max Drehmoment | Lubrificazione int.<br>Coolant through<br>Innenkuehlung | Lubrificazione est.<br>Ext. coolant<br>Aussenkuehlung | A1    | A2   | B    | CHIAVI NON INCLUSE<br>Keys not included<br>Schluessel nicht einbegriffen |                       |
|--|--|--------------------------------|-----|------|--|---|---|-------|------|------|--|-----------------------|
| versione dx<br>right version<br>version rechts | versione sx<br>left version<br>version links |                                |     |      |  |   |   |       |      |      |  |                       |
| SAU0210120                                     | SAU0211120                                   | ER20                           | 1:1 | 6000 | 32Nm                                       | -   | X   | 41.16 | -    | 73.5 | -  | CHSTER20 OKU0290009   |
| SAU0210220                                     | SAU0211220                                   | ER20                           | 1:1 | 6000 | 32Nm                                       | P=70bar   | X   | 41.16 | -    | 83.5 | -  | CHSTER20 OKU0290009   |
| SAU0210320                                     | SAU0211320                                   | ERA20                          | 1:1 | 6000 | 32Nm                                       | -   | X   | 24.5  | -    | 73.5 | CHUB22   | CHTAER20ZC OKU0290009 |
| SAU0210420                                     | SAU0211420                                   | ERA20                          | 1:1 | 6000 | 32Nm                                       | P=70bar   | X   | 24.5  | -    | 83.5 | CHUB22   | CHTAER20ZC OKU0290009 |
| SAU0210125                                     | SAU0211125                                   | ER25                           | 1:1 | 6000 | 32Nm                                       | -   | X   | 42.16 | -    | 73.5 | -  | CHSTER25 OKU0290009   |
| SAU0210225                                     | SAU0211225                                   | ER25                           | 1:1 | 6000 | 32Nm                                       | P=70bar   | X   | 42.16 | -    | 83.5 | -  | CHSTER25 OKU0290009   |
| SAU0210325                                     | SAU0211325                                   | ERA25                          | 1:1 | 6000 | 32Nm                                       | -   | X   | 28.5  | -    | 73.5 | CHUB27   | CHTAER25ZC OKU0290009 |
| SAU0210425                                     | SAU0211425                                   | ERA25                          | 1:1 | 6000 | 32Nm                                       | P=70bar   | X   | 28.5  | -    | 83.5 | CHUB27   | CHTAER25ZC OKU0290009 |
| SAU0210516                                     | SAU0211516                                   | WELDON16                       | 1:1 | 6000 | 32Nm                                       | -   | X   | -     | 27.5 | 73.5 | -  | -                     |

- Chiave inclusa
- Key included
- Schluessel inbegriffen

SAUTER  
VDI 30

MODULO MOTORIZZATO RADIALE ARRETRATO VDI30 DIN 5482 H=85mm  
Radial rear-set driven tool VDI30 DIN 5482 H=85mm  
Radial angetriebenes Werkzeug zurueckversetzt VDI30 DIN 5482 H=85mm



**M.T. srl**  
Via Casino Albini 480  
Tel. 0541/956034-957884  
Fax 0541/956341  
47842 S. GIOVANNI IN M. (RN)  
e-mail: mtma@mtmarchetti.com  
http://www.mtmarchetti.com



PAGINA SAU015-2-70

Subject to change without notice.

09/2023