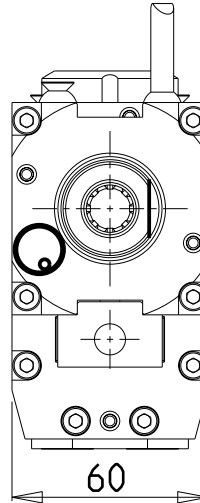
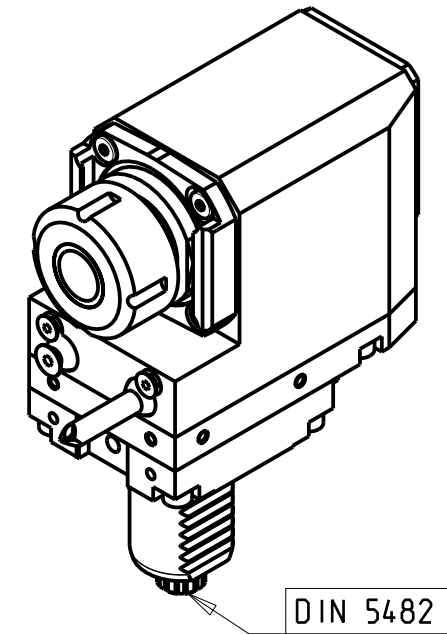
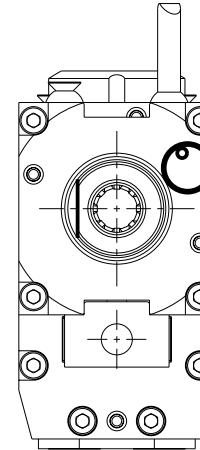


versione dx  
right version  
version rechts



versione sx  
left version  
version links



DIN 5482

Cod. MT		Mandrino Spindle Spindel	i	RPM	Coppia Max Max Torque Max Drehmoment	Lubrificazione int. Coolant through Innenkuehlung	Lubrificazione est. Ext. coolant Aussenkuehlung	A1	A2	B	CHIAVI NON INCLUSE Keys not included Schlüssel nicht einbegriffen			
versione dx right version version rechts	versione sx left version version links													
SAU0200120	SAU0201120	ER20	1:1	6000	32Nm	-	X	41.16	-	73.5	-	CHSTER20	OKU0290009	•
SAU0200220	SAU0201220	ER20	1:1	6000	32Nm	P=70bar	X	41.16	-	83.5	-	CHSTER20	OKU0290009	•
SAU0200320	SAU0201320	ERA20	1:1	6000	32Nm	-	X	24.5	-	73.5	CHUB22	CHTAER20ZC	OKU0290009	•
SAU0200420	SAU0201420	ERA20	1:1	6000	32Nm	P=70bar	X	24.5	-	83.5	CHUB22	CHTAER20ZC	OKU0290009	•
SAU0200125	SAU0201125	ER25	1:1	6000	32Nm	-	X	42.16	-	73.5	-	CHSTER25	OKU0290009	•
SAU0200225	SAU0201225	ER25	1:1	6000	32Nm	P=70bar	X	42.16	-	83.5	-	CHSTER25	OKU0290009	•
SAU0200325	SAU0201325	ERA25	1:1	6000	32Nm	-	X	28.5	-	73.5	CHUB27	CHTAER25ZC	OKU0290009	•
SAU0200425	SAU0201425	ERA25	1:1	6000	32Nm	P=70bar	X	28.5	-	83.5	CHUB27	CHTAER25ZC	OKU0290009	•
SAU0200516	SAU0201516	WELDON16	1:1	6000	32Nm	-	X	-	27.5	73.5	-	-	-	•

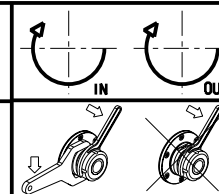
• Chiave inclusa

• Key included

• Schlüssel inbegriffen

SAUTER  
VDI 30

MODULO MOTORIZZATO RADIALE ARRETRATO VDI30 DIN 5482 H=75mm  
Radial rear-set driven tool VDI30 DIN 5482 H=75mm  
Radial angetriebenes Werkzeug zurueckversetzt VDI30 DIN 5482 H=75mm



**M.T. srl**

Via Casino Albini 480  
Tel. 0541/956034-957884  
Fax 0541/956341  
47842 S. GIOVANNI IN M. (RN)  
e-mail: mtma@mtmarchetti.com  
http://www.mtmarchetti.com



PAGINA SAU015-2-60

Subject to change without notice.

09/2023