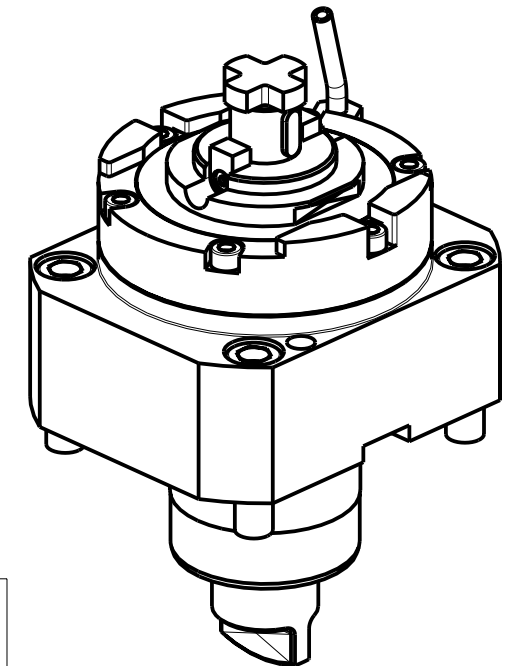
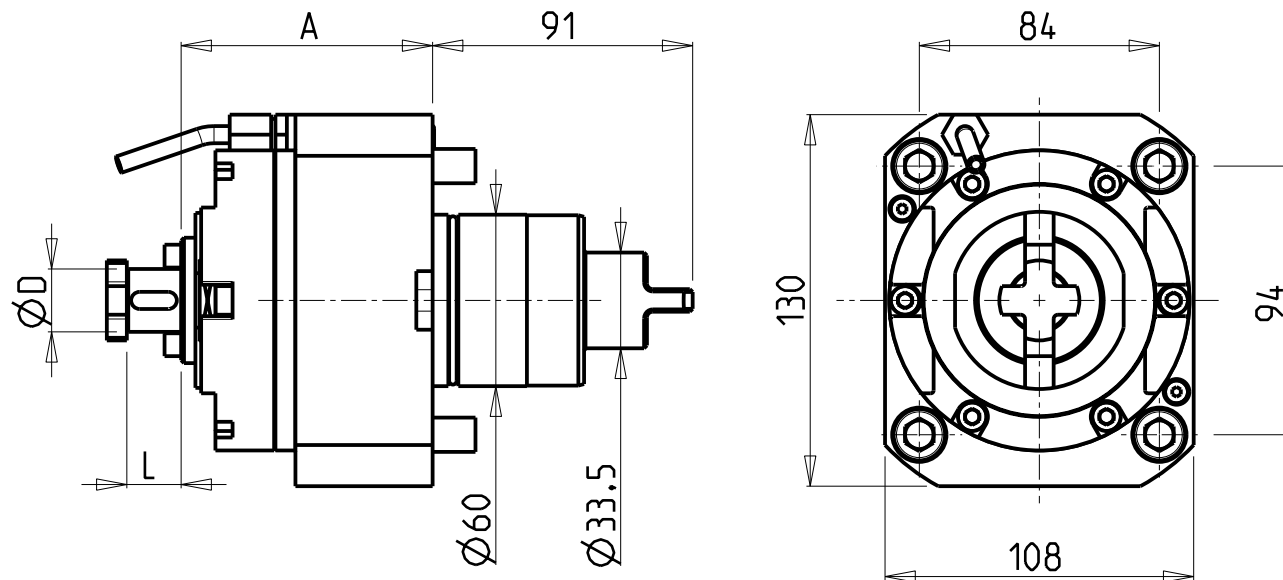


CUSCINETTI MAGGIORATI PER LAVORAZIONI PESANTI

Reinforced bearings for
heavy machining

Vergroesserte Lager fuer
schwerere Bearbeitungen



Cod. MT	Mandrino Spindle Spindel	I	RPM MAX	Coppia Max Max Torque Max Drehmoment	Lubrificazione est. Ext. coolant Auslenkuehlung	A	D	L	CHIAVI INCLUSE Keys included Schluessel inbegriffen	
									CH_VTCROCE_M10	OKU0430007
MNL0732219	Ø22x19	1:1	4000	100Nm	X	88	22	19	CH_VTCROCE_M10	OKU0430007
MNL0732519	Ø1" x 19	1:1	4000	100Nm	X	89	1"	19	CH_VTCROCE_M12	OKU0430007
MNL0732721	Ø27x21	1:1	4000	100Nm	X	89	27	21	CH_VTCROCE_M12	OKU0430007
MNL0733224	Ø32x24	1:1	4000	100Nm	X	91	32	24	CH_VTCROCE_M16	OKU0430007

TAKISAWA

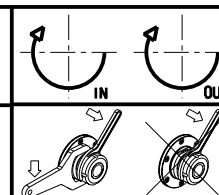
MOD: TS3000/4000/5000 Y/YS 12 ST. (3 KEYS TURRET)

MODULO MOTORIZZATO RADIALE MAGGIORATO

Radial reinforced driven tool

Radial angetriebenes Werkzeug vergroessert

Subject to change without notice.



M.T. srl

Via Casino Albini 480
Tel. 0541/956034-957884
Fax 0541/956341
47842 S. GIOVANNI IN M. (RN)
e-mail: mtma@mtmarchetti.com
http://www.mtmarchetti.com



PAGINA TKW020-7-00

09/2023