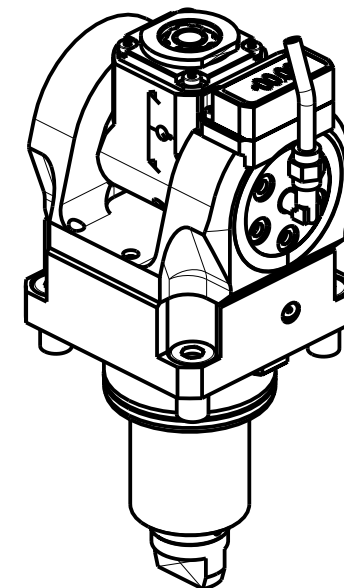


ATTENZIONE - ATTENTION - ACHTUNG

- Per lo smontaggio degli utensili utilizzare sempre la chiave di contrasto come indicato nel manuale d'uso.
- For disassembly of the tools use always the contrast key as mentioned in the user instructions.
- Fuer das Abmontieren der Werkzeuge immer den Gegenschlüssel benutzen wie in der Bedienungsanleitung erwaeht.



Cod. MT	Mandrino Spindle Spindel	I	RPM	Coppia Max Max Torque Max Drehmoment	Reversibile lato mandrino/contromandrino Reversible sub/main spindle side Umkehrbare Spindel-seite/ Gegenspindel-seite	Lubrificazione int. Coolant through Innenkuehlung	Lubrificazione est. Ext. coolant Aussenkuehlung	CHIAVI INCLUDE Keys included Schluessel inbegriffen			
								C HUB19_SP3	C HUB32	C HTAER16ZC	C HESL08
DW01945316	ERA16	1:2	12000	8Nm	X	-	X	C HUB19_SP3	C HUB32	C HTAER16ZC	C HESL08
DW01945416	ERA16	1:2	12000	8Nm	X	P=70bar	X	C HUB19_SP3	C HUB32	C HTAER16ZC	C HESL08

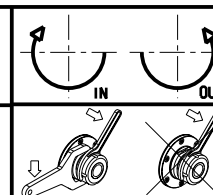
SPINNER

MOD: TC800 SMCY (BMT65)

MODULO MOTORIZZATO ORIENTABILE $\pm 90^\circ$ MOLTIPLICATO I=1:2 CON NONIO DIGITALE H=72mm

$\pm 90^\circ$ adjustable angle driven tool geared-up I=1:2 with digital display H=72mm

Angetriebenes Werkzeug schwenkbar $\pm 90^\circ$ uebersetzt I=1:2 mit digital display H=72mm



M.T. srl

Via Casino Albini 480
Tel. 0541/956034-957884
Fax 0541/956341
47842 S. GIOVANNI IN M. (RN)
e-mail: mtma@mtmarchetti.com
http://www.mtmarchetti.com



PAGINA SPN336-2-01

Subject to change without notice.

09/2023