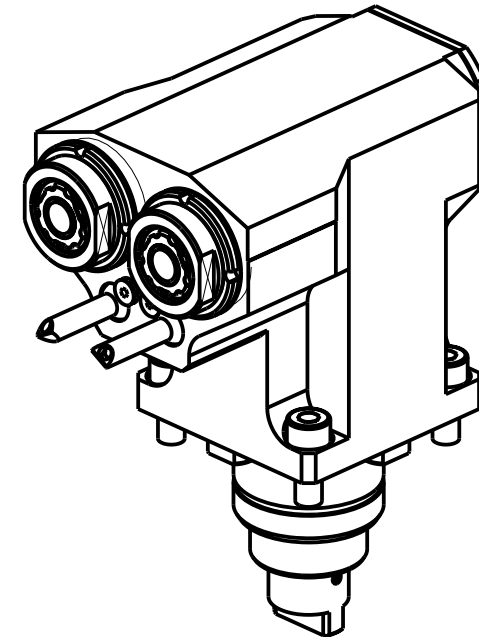
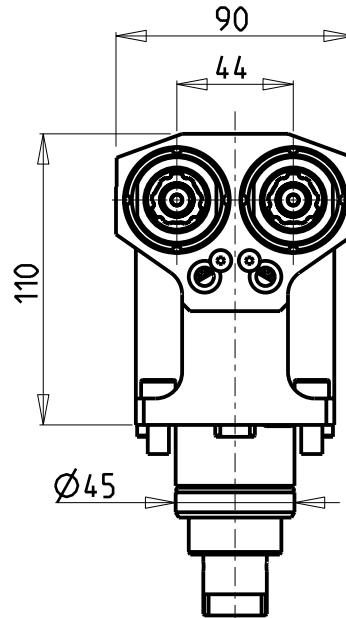
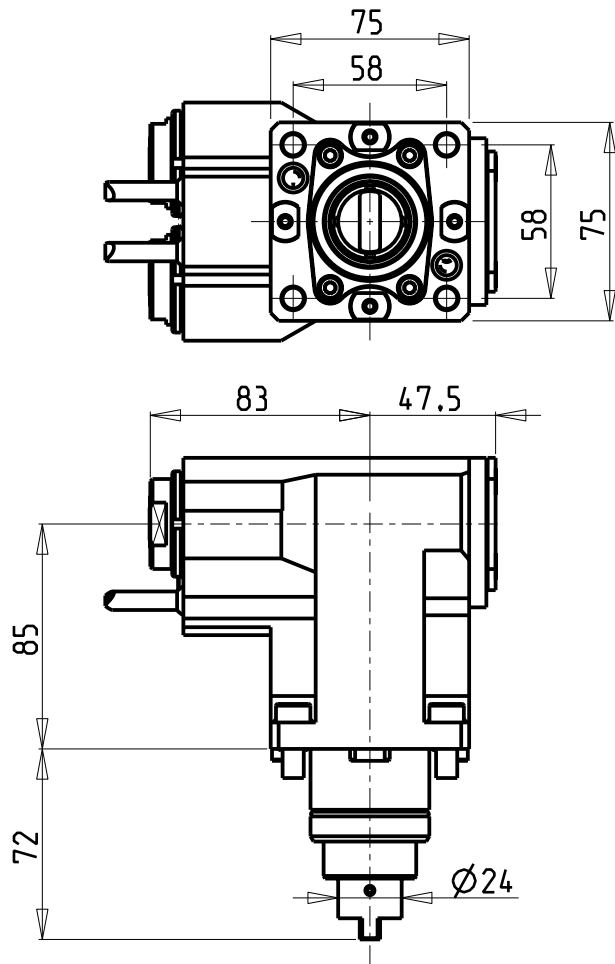


### ATTENZIONE - ATTENTION - ACHTUNG

- Per lo smontaggio degli utensili utilizzare sempre la chiave di contrasto come indicato nel manuale d'uso.
- For disassembly of the tools use always the contrast key as mentioned in the user instructions.
- Fuer das Abmontieren der Werkzeuge immer den Gegenschlüssel benutzen wie in der Bedienungsanleitung erwäehnt.



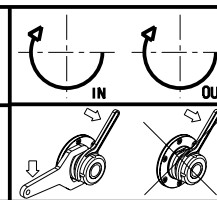
Cod. MT	Mandrino Spindle Spindel	I	RPM	Coppia Max Max Torque Max Drehmoment	Reversibile lato mandrino/contromandrino Reversible sub/main spindle side Umkehrbare Spindel-seite/Gegenspindel-seite	Lubrificazione est. Ext. coolant Aussenkuehlung	CHIAVI NON INCLUDE Keys not included Schluessel nicht einbegriffen		
SPN0050216	ERA16	1:1	8000	30Nm	X	X	CHUB19_SP3	CHUB30	CHTAER16ZC •

- Chiave inclusa
- Key included
- Schluessel inbegriffen

### SPINNER

MOD: TC300 12ST. - TC600 16ST. - TTC300 12 ST. - TTS42/65 (BMT45 SHORT) - MICROTURNS 36/52

MODULO MOTORIZZATO ASSIALE 2 USCITE IN Y  
Axial single side twin head driven tool in Y  
Axial angetriebenes Werkzeug 2 Ausgaenge in Y



**M.T. srl**  
Via Casino Albini 480  
Tel. 0541/956034-957884  
Fax 0541/956341  
47842 S. GIOVANNI IN M. (RN)  
e-mail: mtma@mtmarchetti.com  
http://www.mtmarchetti.com



PAGINA SPN260-1-10

Subject to change without notice.

09/2023