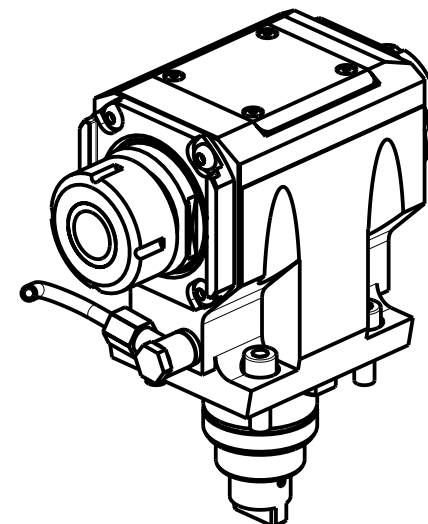
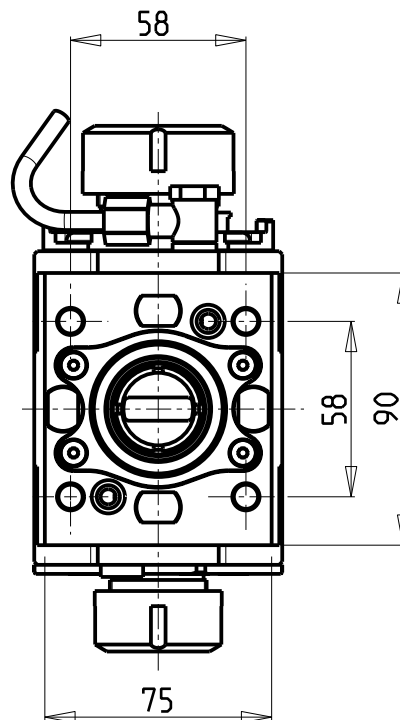
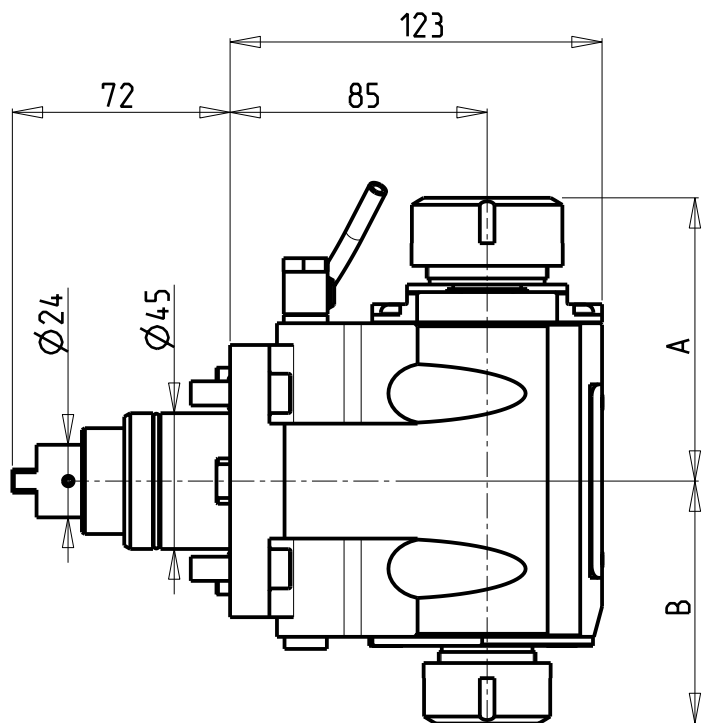


ATTENZIONE - ATTENTION - ACHTUNG

- Per lo smontaggio degli utensili utilizzare sempre la chiave di contrasto come indicato nel manuale d'uso.
- For disassembly of the tools use always the contrast key as mentioned in the user instructions.
- Fuer das Abmontieren der Werkzeuge immer den Gegenschlüssel benutzen wie in der Bedienungsanleitung erwaeht.



- Chiave inclusa
- Key included
- Schlüssel inbegriffen

CHIAVI NON INCLUSE
Keys not included
Schlüssel nicht einbegriffen

| Cod. MT | Mandrino Spindle Spindel | I | RPM | Coppia Max Max Torque Max Drehmoment | Reversibile lato mandrino/contromandrino Reversible sub/main spindle side Umkehrbare Spindel-seite/ Gegenspindel-seite | Lubrificazione est. Ext. coolant Ausseukuehlung | A | B | | | | | | | |
|------------|--------------------------|-----|------|--------------------------------------|--|---|-------|-------|----------|----------|------------|------------|------------|--|--|
| SPN0033225 | ER32+ER25 | 1:1 | 8000 | 50Nm | X | X | 93.66 | 80.16 | CHSTER32 | CHSTER25 | OKU0650004 | - | - | | |
| SPN0032520 | ERA25+ERA20 | 1:1 | 8000 | 50Nm | X | X | 65 | 55.5 | CHUB22 | CHUB27 | OKU0650004 | CHTAER20ZC | CHTAER25ZC | | |

SPINNER

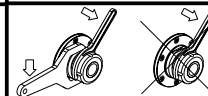
MOD: TC300 12ST. - TC600 16ST. - TTC300 12 ST. - TTS42/65 (BMT45 SHORT) - MICROTURNS 36/52

MODULO MOTORIZZATO ASSIALE BISPORGENTE

Axial opposite face twin driven tool

Axial angetriebenes Werkzeug halb vorspringend

Subject to change without notice.



M.T. srl

Via Casino Albini 480
Tel. 0541/956034-957884
Fax 0541/956341
47842 S. GIOVANNI IN M. (RN)
e-mail: mtma@mtmarchetti.com
http://www.mtmarchetti.com



PAGINA SPN240-1-10