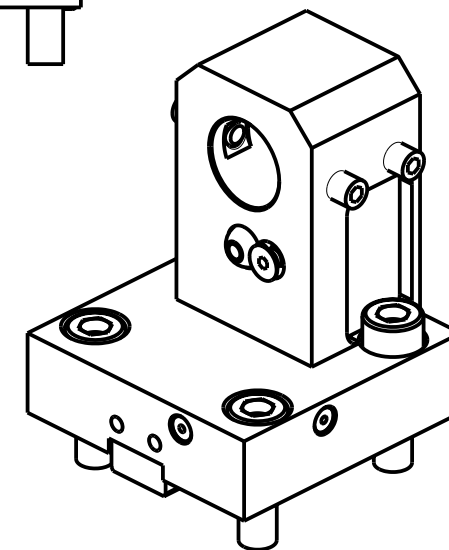
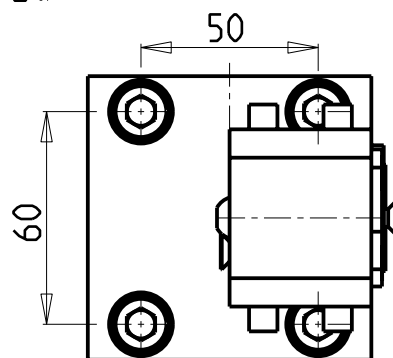
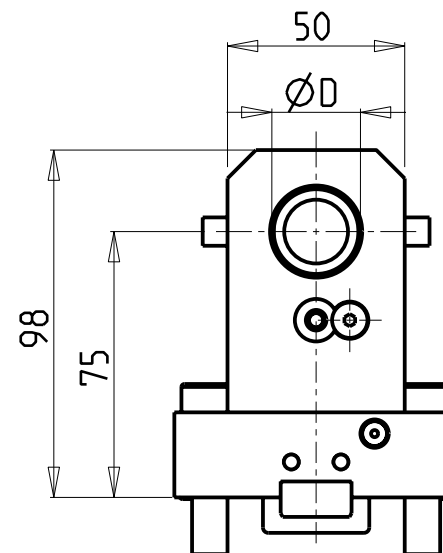
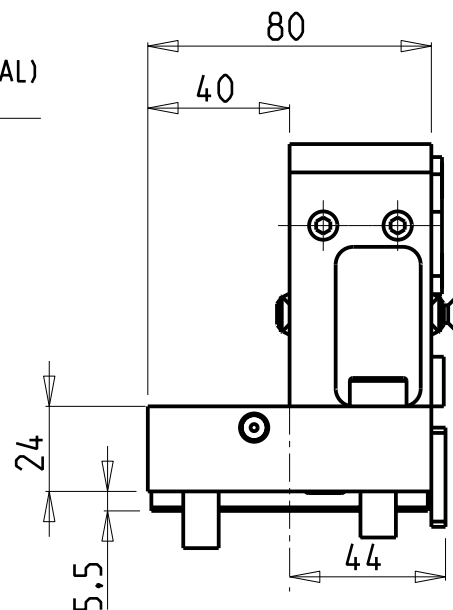
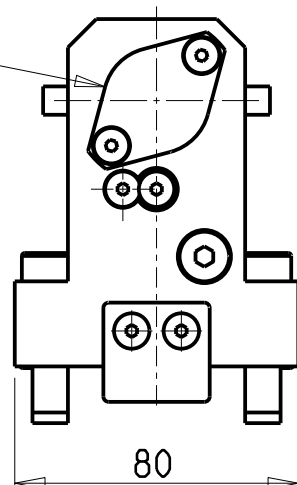


KIT ADDUZIONE INTERNA (OPZIONALE)
 KIT FOR INTERNAL COOLANT (OPTIONAL)
 KIT FUER INTERNE KUEHLMITTELZUFUHR (OPTIONAL)
 Ø25 cod. KIT1000006



PER BOCCOLE DI RIDUZIONE VEDI PAG. TBL150-1-00
 FOR REDUCING BUSHINGS SEE PAGE TBL150-1-00
 FÜR REDUZIERBUCHSE SIEHE SEITE TBL150-1-00

| Cod. MT | N°Utensili N°Tools N°Werkzeuge | Reversibile lato mandrino/contromandrino Reversible sub/main spindle side Umkehrbare Spindel-seite/ Gegenspindel-seite | Lubrificazione int. opzionale Coolant through optional Innenkuehlung Optional | Lubrificazione est. Ext. coolant Aussenkuehlung | Misure Dimensions Masse | D |
|------------|--------------------------------------|---|--|---|-------------------------------|----|
| NKM1362500 | 1 | X | X | X | mm | 25 |

NAKAMURA-TOME

WT150/250 - WT15011/25011 - WTW150 - WTS150 - SUPER NTM3 - SUPER NTJ - SUPER NTJX - SC150/200/250 - SC20011 12/16 ST.
 SC30011 16ST. - JX200/250 - NTY3 150/250 - TW10M/MY/MM/MMY/MMYY-TW20M/MY/MM/MMY/MMYY 16ST. - WY 150/250 - AS200 15 ST.

PORTAUTENSILE ASSIALE ARRETRATO PER BARENO Ø25mm H=75mm

Axial single rear set boring bar holder Ø25mm H=75mm

Axial Bohrhälter zurueckversetzt Ø25mm H=75mm

Subject to change without notice.

M.T. srl

Via Casino Albini 480
 Tel. 0541/956034-957884
 Fax 0541/956341
 47842 S. GIOVANNI IN M. (RN)
 e-mail: mtma@mtmarchetti.com
 http://www.mtmarchetti.com



PAGINA NKM848-2-10