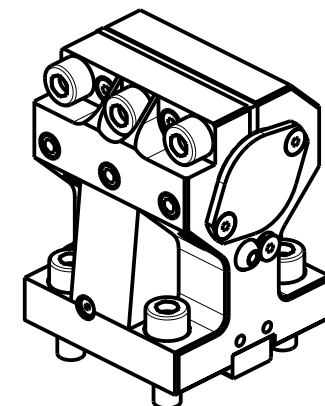
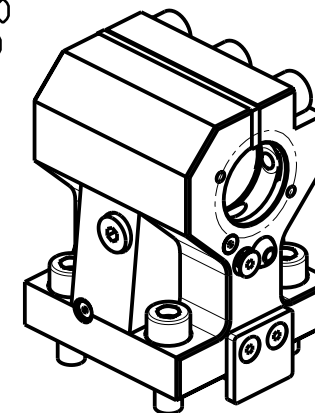


SOLO GUARNIZIONE (OPZIONALE)
 ONLY SEAL (OPTIONAL)
 NUR DICHTUNG (OPTIONAL)
 cod. NKM0110009

KIT ADDUZIONE INTERNA (OPZIONALE)
 KIT FOR INTERNAL COOLANT (OPTIONAL)
 KIT FUER INTERNE KUEHLMITTELZUFUHR (OPTIONAL)
 Ø32-Ø1 1/4" cod. KIT1004001
 Ø40 cod. KIT1004018
 Ø1 1/2" cod. KIT1004021



PER BOCCOLE DI RIDUZIONE VEDI PAG. TBL150-1-00
 FOR REDUCING BUSHINGS SEE PAGE TBL150-1-00
 FÜR REDUZIERBUCHSE SIEHE SEITE TBL150-1-00



| Cod. MT | Reversibile lato mandrino/contromandrino Reversible sub/main spindle side Umkehrbare Spindel-seite/ Gegenspindel-seite | Lubrificazione int. opzionale Coolant through optional Innenkuehlung Optional | Lubrificazione est. Ext. coolant Aussenkuehlung | D | L |
|------------|---|--|---|--------|-----|
| NKM0114010 | X | X | X | 40 | 111 |
| NKM0114030 | X | X | X | 1 1/2" | 111 |
| NKM0113201 | X | X | X | 32 | 107 |
| NKM0113211 | X | X | X | 1 1/4" | 107 |

NAKAMURA-TOME

WT250 - WT15011/25011 - WTW150 - WTS150 - SC150/200/250 - SC30011 16ST. - JX200/250 - SUPER NTJX - NTY3 150/250

PORTAUTENSILE ASSIALE PER BARENO Ø40mm / Ø1 1/2" / Ø32mm / Ø1 1/4" H=75mm
 Axial single boring bar holder Ø40mm / Ø1 1/2" / Ø32mm / Ø1 1/4" H=75mm
 Axial Bohrhalter Ø40mm / Ø1 1/2" / Ø32mm / Ø1 1/4" H=75mm

Subject to change without notice.

M.T. srl
 Via Casino Albini 480
 Tel. 0541/956034-957884
 Fax 0541/956341
 47842 S. GIOVANNI IN M. (RN)
 e-mail: mtma@mtmarchetti.com
 http://www.mtmarchetti.com



PAGINA NKM660-2-20