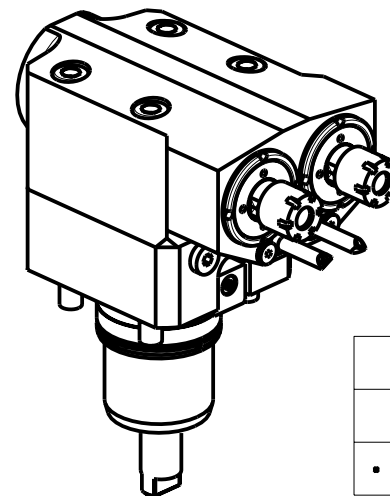


ATTENZIONE - ATTENTION - ACHTUNG

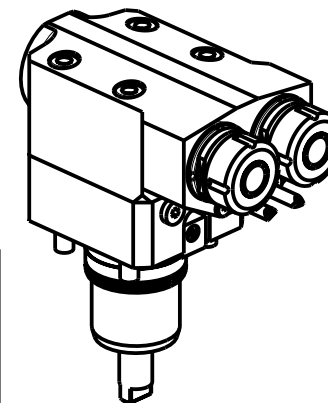
- VERIFICARE LE MISURE DI INGOMBRO PER POSSIBILE INTERFERENZA SU ALCUNI MODELLI DI MACCHINE
- Please check the overall sizes for possible interferences on some machine models
- Bitte überprüfen sie das ausmass um mögliche interferenzen auf einigen maschinen modellen zu vermeiden

ATTENZIONE - ATTENTION - ACHTUNG

- Per lo smontaggio degli utensili utilizzare sempre la chiave di contrasto come indicato nel manuale d'uso.
- For disassembly of the tools use always the contrast key as mentioned in the user instructions.
- Fuer das Abmontieren der Werkzeuge immer den Gegenschlüssel benutzen wie in der Bedienungsanleitung erwaeht.



NKM0131225



- Chiave inclusa
- Key included
- Schlüssel inbegriffen

| Cod. MT | Mandrino Spindel Spindel | I | RPM | Coppia Max Max Torque Max Drehmoment | Reversibile lato mandrino/contromandrino Reversible sub/main spindle side Umkehrbare Spindel-seite/ Gegenspindel-seite | Lubrificazione int. Coolant through Innenkuehlung | Lubrificazione est. Ext. coolant Aussenkuehlung | A | H | CHIAVI NON INCLUSE Keys not included Schluessel nicht einbegriffen | |
|------------|--------------------------|-----|------|--------------------------------------|--|---|---|--------|-----|--|--------------------|
| | | | | | | | | | | | |
| NKM0131216 | ER16 | 1:1 | 6000 | 30Nm | X | - | X | 115.15 | 102 | CHUB17 | CHMNER16 |
| NKM0131520 | ERA20 | 1:1 | 6000 | 30Nm | X | P=70bar | X | 116.15 | 107 | MNLO210007 | CHUB22 CHTAER20ZC* |
| NKM0131225 | ER25 | 1:1 | 6000 | 30Nm | X | - | X | 115.61 | 102 | MNLO210007 | CHSTER25 |
| NKM0131425 | ER25 | 1:1 | 6000 | 30Nm | X | P=70bar | X | 128.11 | 107 | MNLO210007 | CHSTER25 |

NAKAMURA-TOME

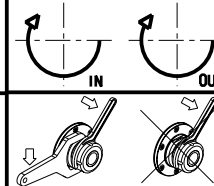
WT250 - WT15011/25011 - WTW150 - WTS150 - SC150/200/250 - SC20011 12/16 ST. - SC30011 16ST. - JX200/250 SUPER NTJX - NTY3 150/250 - AS200MY 15ST.

MODULO MOTORIZZATO ASSIALE 2 USCITE IN Y H=75mm

Axial single side twin head driven tool in Y H=75mm

Axial angetriebenes Werkzeug 2 Ausgaenge in Y H=75mm

Subject to change without notice.



M.T. srl

Via Casino Albini 480
Tel. 0541/956034-957884
Fax 0541/956341
47842 S. GIOVANNI IN M. (RN)
e-mail: mtma@mtmarchetti.com
http://www.mtmarchetti.com



PAGINA NKM260-2-20