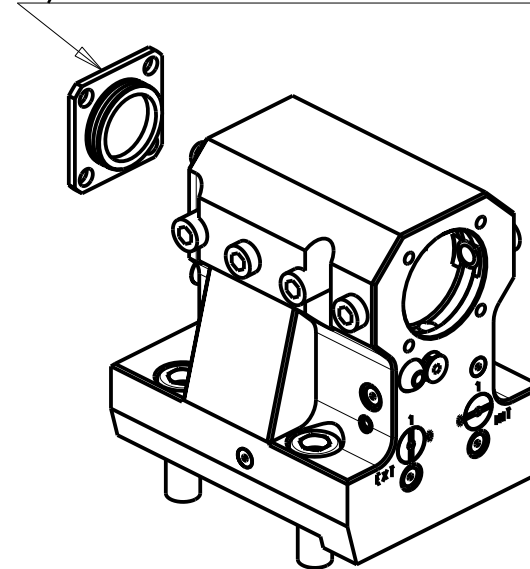


KIT ADDUZIONE INTERNA (OPZIONALE)  
 KIT FOR INTERNAL COOLANT (OPTIONAL)  
 KIT FUER INTERNE KUEHLMITTELZUFUHR (OPTIONAL)  
 Ø32-Ø1 1/4" cod. KIT1000020  
 Ø40 cod. KIT1000019  
 Ø1 1/2" cod. KIT1000023



PER BOCCOLE DI RIDUZIONE VEDI PAG. TBL150-1-00  
 FOR REDUCING BUSHINGS SEE PAGE TBL150-1-00  
 FÜR REDUZIERBUCHSE SIEHE SEITE TBL150-1-00

| Cod. MT    | N°Utensili<br>N°Tools<br>N°werkzeuge | Reversibile lato<br>mandrino/contromandrino<br>Reversible sub/main<br>spindle side<br>Umkehrbare Spindel-seite/<br>Gegenspindel-seite | Lubrificazione int.<br>opzionale<br>Coolant through<br>optional<br>Innenkuehlung<br>Optional | Lubrificazione est.<br>Ext. coolant<br>Aussenkuehlung | Misure<br>Dimensions<br>Masse | D      |
|------------|--------------------------------------|---|--|---|-------------------------------|--------|
| OKU0133200 | 1                                    |   | X  | X   | mm                            | 32     |
| OKU0133175 | 1                                    | X   | X  | X   | Inch                          | 1 1/4" |
| OKU0134000 | 1                                    | X   | X  | X   | mm                            | 40     |
| OKU0133810 | 1                                    | X   | X  | X   | Inch                          | 1 1/2" |

**OKUMA**  
 MOD: LB2000-2500-3000EX(I) M/MY/MW/MYW - LB2000-2500-3000EX(II) M/MY/MW/MYW - LU3000EX M/MY/MW  
 MULTUS U3000/4000/5000 2SW - GENOS L300MW/MYW - GENOS L3000e M/MY

PORTAUTENSILE ASSIALE PER BARENO Ø32mm/Ø1 1/4"/Ø40mm/Ø1 1/2" H=90mm  
 Axial single boring bar holder Ø32mm/Ø1 1/4"/Ø40mm/Ø1 1/2" H=90mm  
 Axial Bohrhälter Ø32mm/Ø1 1/4"/Ø40mm/Ø1 1/2" H=90mm

Subject to change without notice.

**M.T. srl**

Via Casino Albini 480  
 Tel. 0541/956034-957884  
 Fax 0541/956341  
 47842 S. GIOVANNI IN M. (RN)  
 e-mail: mtma@tmarchetti.com  
 http://www.tmmarchetti.com



PAGINA OKU630-4-10