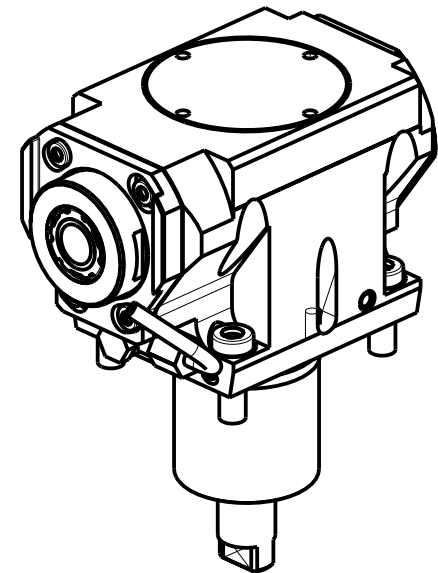


- Chiave inclusa
- Key included
- Schlüssel inbegriffen

ATTENZIONE - ATTENTION - ACHTUNG

- Per lo smontaggio degli utensili utilizzare sempre la chiave di contrasto come indicato nel manuale d'uso.
- For disassembly of the tools use always the contrast key as mentioned in the user instructions.
- Fuer das Abmontieren der Werkzeuge immer den Gegenschlüssel benutzen wie in der Bedienungsanleitung erwaeht.

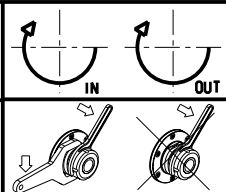


Cod. MT	Mandrino Spindle Spindel	I	RPM	Coppia Max Max Torque Max Drehmoment	Reversibile lato mandrino/contromandrino Reversible sub/main spindle side Umkehrbare Spindel-seite/ Gegenspindel-seite	Lubrificazione int. Coolant through Innenkuehlung	Lubrificazione est. Ext. coolant Aussenkuehlung	B	CHIAVI NON INCLUSE Keys not included Schlüssel nicht einbegriffen		
OKU1000125	ERA25	1:2	12000	30Nm	X		X	60.5	CHUB27	CHTAER25ZC	OKU0650004
OKU1000225	ERA25	1:2	12000	30Nm	X	P=70bar	X	71.5	CHUB27	CHTAER25ZC	OKU0650004

OKUMA
MOD: LT2000EX 16ST.

MODULO MOTORIZZATO ASSIALE MOLTIPLICATO I=1:2
Axial geared-up I=1:2 driven tool
Axial angetriebenes Werkzeug uebersetzt I=1:2

Subject to change without notice.



M.T. srl
Via Casino Albini 480
Tel. 0541/956034-957884
Fax 0541/956341
47842 S. GIOVANNI IN M. (RN)
e-mail: mtma@mtmarchetti.com
http://www.mtmarchetti.com



PAGINA OKU200-6-10